



FLECK 5800 LXT



INSTALLER MANUAL

Table of contents

1.	Generalities	7
1.1.	Scope of the documentation	7
1.2.	Release management	7
1.3.	Manufacturer identifier, product	7
1.4.	Intended use	7
1.5.	Abbreviations used	8
1.6.	Norms	8
1.6.1.	Applicable norms	8
1.6.2.	Available certificates	8
1.7.	Procedure for technical support	9
1.8.	Copyright	9
1.9.	Limitation of liability	9
1.10.	Scan & Service application	10
2.	Safety	11
2.1.	Safety pictograms definition	11
2.2.	Serial label location	11
2.3.	Hazards	11
2.3.1.	Personnel	12
2.3.2.	Material	12
2.4.	Hygiene and sanitization	12
2.4.1.	Sanitary issues	12
2.4.2.	Hygiene measures	12
3.	Description	13
3.1.	Technical specifications	13
3.1.1.	Performance flow rate characteristics	14
3.2.	Outline drawing	15
3.3.	Description and components location	16
3.4.	System regeneration cycle	18
3.4.1.	Downflow regeneration cycle (5-cycles operation)	18
3.4.2.	Upflow regeneration cycle (5-cycles operation)	20
3.4.3.	Filter cycle (3-cycles operation)	22
3.5.	Configurations for downflow softener, upflow softener and filter	23
3.5.1.	Downflow softener	23
3.5.2.	Upflow softener	23
3.5.3.	Filter	23
3.6.	Options available on the valve	24

4.	System sizing	25
4.1.	Recommendations	25
4.1.1.	Injector/DLFC/BLFC-Valve configuration	25
4.2.	Sizing a softener (single unit)	25
4.2.1.	Parameters to be considered	25
4.2.2.	Determining the required volume of resin	27
4.2.3.	Resin exchange capacity and capacity of the unit	28
4.2.4.	Valve configuration	30
4.2.5.	Cycle time calculation	31
4.3.	Salt amount definition	33
4.4.	1650 Injector flow rates	34
5.	Installation	37
5.1.	Warnings	37
5.2.	Safety notices for installation	37
5.3.	Installation environment	37
5.3.1.	General	37
5.3.2.	Water	38
5.3.3.	Electrical	38
5.3.4.	Mechanical	38
5.4.	Integration constraints	39
5.5.	Valve connection to piping	39
5.5.1.	Top-mounted valve installation	40
5.6.	Block diagram and configuration example	42
5.7.	Regeneration types	43
5.8.	Electrical connections	43
5.9.	By-passing	44
5.10.	Drain line connection	45
5.11.	Overflow line connection	47
5.12.	Brine line connection	47

6.	Programming	48
6.1.	Display	48
6.2.	Commands	49
6.3.	Setting the time of the day	49
6.4.	Master programming	49
6.4.1.	Setting the amount of resin in the tank	49
6.4.2.	Softener meter delayed programming	49
6.4.3.	Softener time clock delayed programming	51
6.4.4.	Filter time clock programming	52
6.5.	Diagnostic	53
6.5.1.	Commands	53
7.	Commissioning	55
7.1.	Water filling, draining and waterproofness inspection	55
7.1.1.	Activating the softener	55
7.2.	Sanitization	56
7.2.1.	Disinfection of water softeners	56
7.2.2.	Sodium or calcium hypochlorite	56
7.2.3.	Electro chlorination	57
8.	Operation	58
8.1.	Display during operation	58
8.2.	Display during regeneration	58
8.3.	Display during diagnostic mode	58
8.4.	Recommendations	58
8.5.	Manual regeneration	59
8.5.1.	Manual delayed regeneration	59
8.5.2.	Immediate regeneration.	59
8.5.3.	To advance regeneration cycles	59
8.6.	Operation during a power failure	59

9.	Maintenance	60
9.1.	General system inspection	60
9.1.1.	Water quality	60
9.1.2.	Mechanical Checks	60
9.1.3.	Regeneration test	61
9.2.	Recommended maintenance plan	61
9.2.1.	Valve used for softening	61
9.2.2.	Valve used for filtering	63
9.3.	Recommendations	64
9.3.1.	Use original spare parts	64
9.3.2.	Use original approved lubricants	64
9.3.3.	Maintenance instructions	64
9.4.	Cleaning and maintenance	64
9.4.1.	First steps	64
9.4.2.	Controller replacement	65
9.4.3.	Controller motor replacement	66
9.4.4.	Power head disassembly/replacement	67
9.4.5.	Piston and/or brine valve replacement	68
9.4.6.	Seals and spacers cartridge replacement	70
9.4.7.	Injector cleaning	71
9.4.8.	BLFC cleaning	72
9.4.9.	Optical sensor replacement	73
9.4.10.	Encoding wheel cleaning	74
9.4.11.	Valve on tank assembly	75
10.	Troubleshooting	76
10.1.	Error detection	78
10.2.	Error types and causes	78
10.2.1.	Motor stall/cam sense error	78
10.2.2.	Motor run-ON error/cycle sense error	78
10.2.3.	Regeneration failure	79
10.2.4.	Fail safe error	79

11.	Spare parts	80
11.1.	Power head parts list	80
11.2.	Valve parts list	81
11.3.	Safety brine valve parts list	83
11.4.	Safety brine valves list	84
11.5.	Bypass valve assembly list	85
11.5.1.	Plastic bypass (no yoke)	85
11.5.2.	1" BSP female stainless steel bypass	87
11.6.	Plastic turbine meter assembly	89
11.7.	CE compliance part list	90
12.	Disposal	91

1. Generalities

1.1. Scope of the documentation

The documentation provides the necessary information for appropriate use of the product. It informs the user to ensure efficient execution of the installation, operation or maintenance procedures.

The content of this document is based on the information available at the time of publication. The original version of the document was written in English.

For safety and environmental protection reasons, the safety instructions given in this documentation must be strictly followed.

This manual is a reference and will not include every system installation situation. The person installing this equipment should have:

- training in the Fleck series, LXT controllers and water softener installation;
- knowledge of water conditioning and how to determine proper controller settings;
- basic plumbing skills.

This document is available in other languages on www.pentairaquaeurope.com/product-finder/product-type/control-valves.

1.2. Release management

Revision	Date	Authors	Description
A	09.12.2016	BRY/GJA	First edition.
B	16.01.2018	BRY/FLA	Add. cleaning BLFC procedure.
C	22.05.2018	BRY/FIM	Address change, Bleam information and valve on tank assembly.
D	17.09.2019	BRY	Add preventive maintenance plan and general corrections
E	15.11.2019	BRY	Bleam sticker change.

1.3. Manufacturer identifier, product

Manufacturer: Pentair International LLC
Avenue de Sevelin 18
1004 Lausanne
Switzerland

Product: Fleck 5800 - LXT

1.4. Intended use

The device is intended to be used for domestic applications only and it is purpose-built for water treatment.

1.5. Abbreviations used

BLFC	Brine Line Flow Controller
BV	Brine Valve
DF	Down Flow
DLFC	Drain Line Flow Controller
Inj	Injector
QC	Quick Connect
Regen	Regeneration
S&S	Seals & Spacers
SBV	Safety Brine Valve
TC	Time Clock
UF	Up Flow

1.6. Norms

1.6.1. Applicable norms

Comply with the following guidelines:

- 2006/42/EC: Machinery Directive;
- 2014/35/UE: Low Voltage Directive;
- 2014/30/UE: Electromagnetic compatibility;
- 2011/65/UE: Restriction of use of certain hazardous substances in electrical and electronic equipment (RoHS);
- UNI EN ISO9001.

Meets the following technical standards:

- EN 55014-1;
- EN 55014-2;
- EN 61000-3-2;
- EN 61000-3-3;
- EN 61000-6-1;
- EN 61000-6-2;
- EN 61000-6-3;
- EN 61000-6-4;
- EN 61010-1.

1.6.2. Available certificates

- CE;
- DM174;
- ACS.

Please find beside the certifications for some of our product families. Please note that this list is not an exhaustive list of all our certifications. In case of need for more information please contact us.



1.7. Procedure for technical support

Procedure to follow for any technical support request:

- A** Collect the required information for a technical assistance request.
 - Product identification (see 2.2. Serial label location, page 11 and 9.3. Recommendations, page 64);
 - Problem description of the device.
- B** Please refer to the "Troubleshooting" chapter, page 76. If the problem persists contact your supplier.

1.8. Copyright

© 2019 Pentair International Sàrl All rights reserved.

1.9. Limitation of liability

Pentair Quality System EMEA products benefit, under specific conditions, from a manufacturer warranty that may be invoked by Pentair's direct customers. Users should contact the vendor of this product for applicable conditions and in case of a potential warranty claim.

Any warranty provided by Pentair regarding the product will become invalid in case of:



- improper installation, improper programming, improper use, improper operation and/or maintenance leading to any kind of product damages;
- improper or unauthorized intervention on the controller or components;
- incorrect, improper or wrong connection/assembly of systems or products with this product and vice versa;
- use of a non-compatible lubricant, grease or chemicals of any type and not listed by the manufacturer as compatible for the product;
- failure due to wrong configuration and/or sizing.

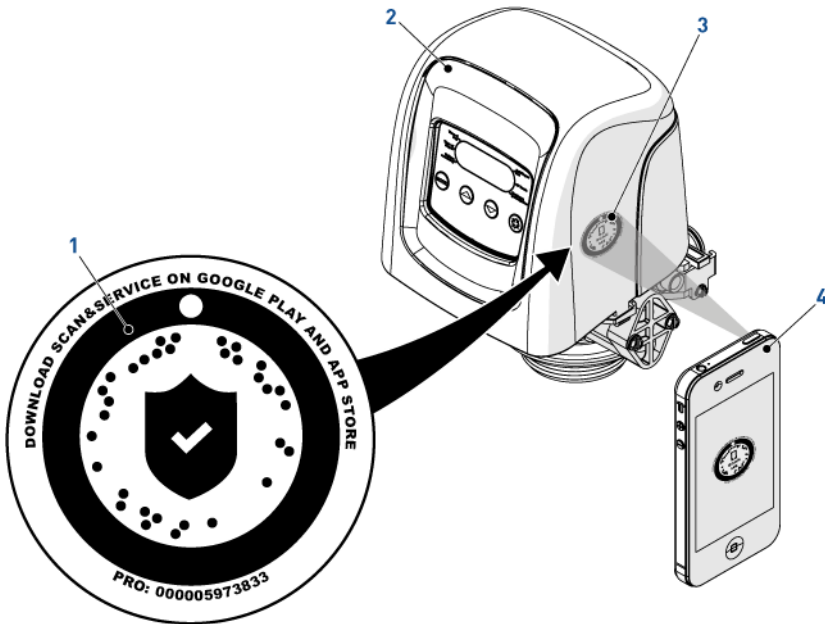
Pentair accepts no liability for equipment installed by the user upstream or downstream of Pentair products, as well as for process/production processes which are installed and connected around or even related to the installation. Disturbances, failures, direct or indirect damages that are caused by such equipment or processes are also excluded from the warranty. Pentair shall not accept any liability for any loss or damage of profits, revenues, use, production, or contracts, or for any indirect, special or consequential loss or damage whatsoever. Please refer to the Pentair List Price to know more about terms and conditions applicable to this product.

1.10. Scan & Service application

Scan & Service mobile application is the ideal support for the maintenance person in his daily business. A simple scan of an identification (ID) label (1) present on the valve with a smartphone gives an instantaneously access to all updated information related to the product, such as:

- valve's and tanks detailed configuration;
- manuals;
- spare parts lists;
- troubleshooting recommendations;
- multi-lingual videos, detailing how to best service a part;
- informations about new products, latest technologies, novelties about the Blue Network program, etc....

No.	Operation
A	Download the application "Scan & Service" from  or  in a smartphone (4).
B	Open the application "Scan & Service".
C	Scan the bleam (3) stuck on the valve (2).
D	Navigate to find information.



2. Safety

2.1. Safety pictograms definition



Caution

Warns of a risk of minor injury or major material damage to the device or environment.



Warning

Warns against serious personal injury and damage to health.



Danger

Warns against serious personal injury or death.



Mandatory

Standard or measure to apply.



Note

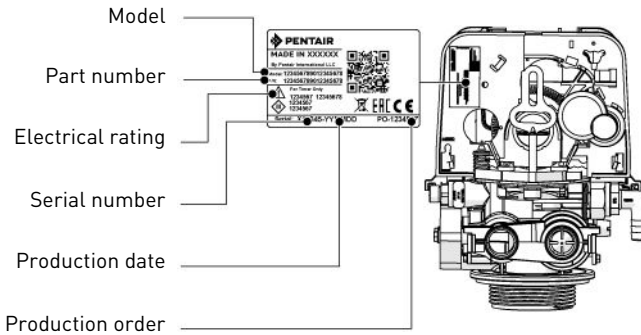
Comment



Prohibition

Restriction to be observed.

2.2. Serial label location



Note

Ensure that the serial label and the safety tags on the device are completely legible and clean. If necessary, replace them with new tags and put them in the same places.

2.3. Hazards

All the safety and protection instructions contained in this document must be observed in order to avoid temporary or permanent injury, damage to property or environmental pollution.

At the same time, any other legal regulations, accident prevention and environmental protection measures, as well as any recognized technical regulations relating to appropriate and risk-free methods of working which apply in the country and place of use of the device must be adhered to.

Any non-observation of the safety and protection rules, as well as any existing legal and technical regulations, will result in a risk of temporary or permanent injury, damage to property or environmental pollution.

2.3.1. Personnel

**Caution**

Only qualified and professional personnel, based on their training, experience and instruction as well as their knowledge of the regulations, the safety rules and operations performed, are authorized to carry out necessary work.

2.3.2. Material

The following points must be observed to ensure proper operation of the system and the safety of user:

- be careful of high voltages present on the transformer (100 - 240 V);
- do not put your fingers in the system (risk of injuries with moving parts and shock due to electric voltage).

2.4. Hygiene and sanitization

2.4.1. Sanitary issues

Preliminary checks and storage

- Check the integrity of the packaging. Check that there is no damage and no signs of contact with liquid to make sure that no external contamination occurred;
- the packaging has a protective function and must be removed just before installation. For transportation and storage appropriate measures should be adopted to prevent the contamination of materials or objects themselves.

Assembly

- Assemble only with components which are in accordance with drinking water standards;
- after installation and before use, perform one or more manual regenerations in order to clean the media bed. During such operations, do not use the water for human consumption. Perform a disinfection of the system in the case of installations for treatment of drinking water for human use.

**Note**

This operation must be repeated in the case of ordinary and extraordinary maintenance. It should also be repeated whenever the system remains idle for a significant time.

2.4.2. Hygiene measures

Disinfection

- The materials used for the construction of our products meet the standards for use with potable water; the manufacturing processes are also geared to preserving these criteria. However, the process of production, distribution, assembly and installation, may create conditions of bacterial proliferation, which may lead to odor problems and water contamination;
- it is therefore strongly recommended to sanitize the products. See 7.2. Sanitization, page 56;
- maximum cleanliness is recommended during the assembly and installation;
- for disinfection, use Sodium or Calcium Hypochlorite and perform a manual regeneration.

3. Description

3.1. Technical specifications

Design specifications/ratings

Valve body	Fiber-reinforced polymer
Rubber components	EP/EPDM/silicone
Valve material certification	DM174, ACS, CE
Weight (valve with controller).....	2 kg (max)
Recommended operating pressure	1.4 - 8.6 bar
Maximum inlet pressure	8.6 bar
Hydrostatic test pressure.....	20 bar
Water temperature.....	1 - 43°C
Ambient temperature	0 - 52°C

Flow rates (3.5 bar inlet - valve only)

Continuous ($\Delta p = 1 \text{ bar}$)	4.7 m ³ /h
Peak ($\Delta p = 1.7 \text{ bar}$).....	6.1 m ³ /h
Cv*	5.4 gpm
Kv*.....	4.67 m ³ /h
Maximum backwash ($\Delta p = 1.8 \text{ bar}$)	3.8 m ³ /h

*Cv : Flow rate in gpm across the valve at a pressure drop of 1 psi at 60°F.

*Kv : Flow rate in m³/h across the valve at a pressure drop of 1 bar at 16°C.

Valve connections

Tank Thread.....	2 1/2" - 8NPSM
Inlet/Outlet.....	3/4" or 1"
Riser tube	26.7 mm O.D., 1.05" tube
Drain line	1/2" O.D.
Brine line (1650).....	3/8"

Electrical

Transformer input voltage	100 to 240 VAC
Input supply frequency	50 to 60 Hz
Transformer output voltage	12 VDC
Motor input voltage.....	12 VDC
Controller input voltage.....	12 VDC
Controller max. power consumption	6 W
Protection rating.....	IP 22
Power supply	100 to 240 VAC, 50/60 Hz, 0.5 A, Class II
Transient overvoltages	within the limits of category II
Pollution Degree	3

Temporary overvoltages must be limited in duration and in frequency.

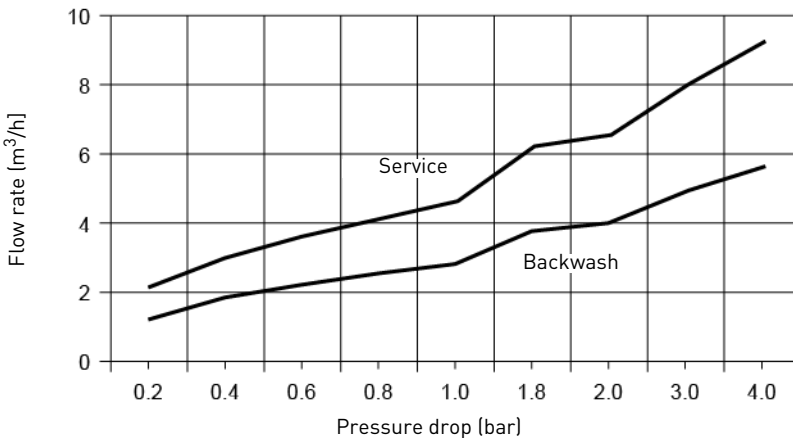
Environmental conditions

- Indoor use only;
- temperature from 0°C to 52°C;
- maximum relative humidity 80% for temperatures up to 31°C decreasing linearly to 50% relative humidity at 40°C;
- mains supply voltage fluctuations up to ±10% of the nominal voltage.

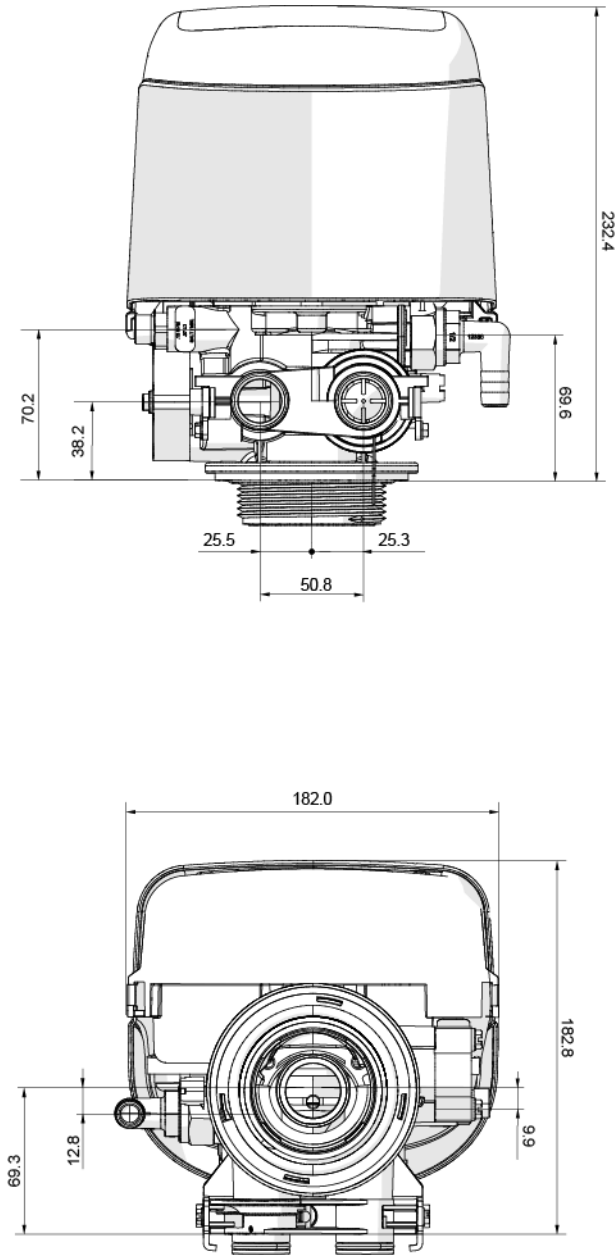
3.1.1. Performance flow rate characteristics

The graph shows the pressure drop created by the valve itself at different flow rates. It allows to predetermine the maximum flow rate going through the valve depending on the system settings (inlet pressure etc). It also allows to determine the valve pressure drop at a given flow rate, and therefore to evaluate the system pressure drop vs flow rate.

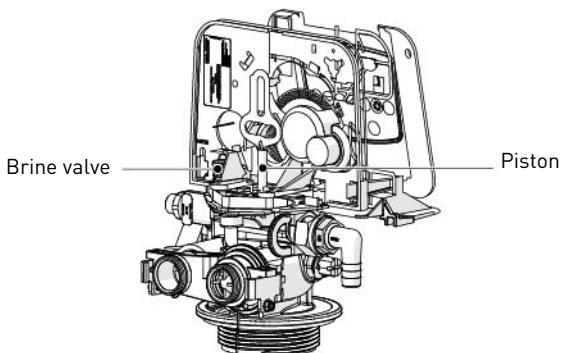
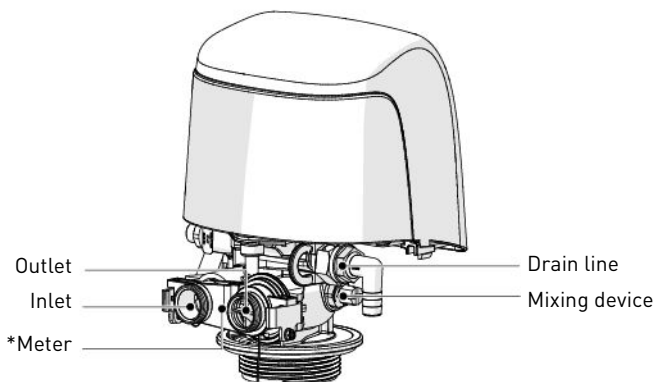
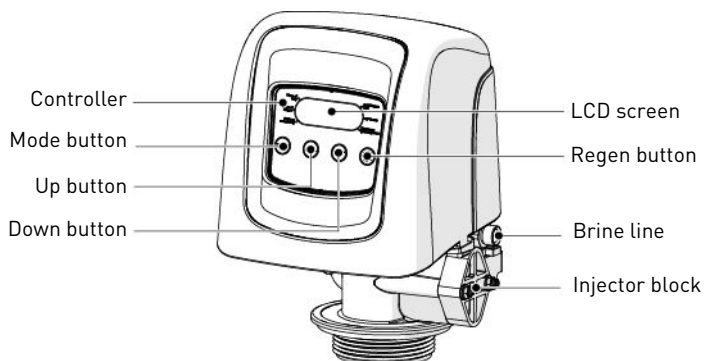
FLOW RATE VS PRESSURE DROP



3.2. Outline drawing



3.3. Description and components location



*Not included in case of timeclock

PAGE INTENTIONALLY LEFT BLANK

3.4. System regeneration cycle

**Note**

This valve allows to do filtration, down flow and up flow regenerations.

3.4.1. Downflow regeneration cycle (5-cycles operation)

Service — normal use

Untreated water is directed down through the resin bed and up through the riser tube. The hardness ions attach themselves to the resin and are removed from the raw water being exchanged on the resin beads against sodium ions. The water is conditioned as it passes through the resin bed.

Backwash — cycle C1

The flow of water is reversed by the valve and directed down through the riser tube and up through the resin bed. During the backwash cycle, the bed is expanded and debris is flushed to the drain, while the media bed is remixed.

Brine draw & slow rinse — cycle C2

The controller directs water through the brine injector and brine is drawn from the brine tank. The brine is then directed down through the resin bed and up through the riser tube to the drain. The hardness ions are replaced by sodium ions and are sent to the drain. The resin is regenerated during the brine cycle. Afterwards the slow rinse phase starts.

Rapid rinse — cycle C3

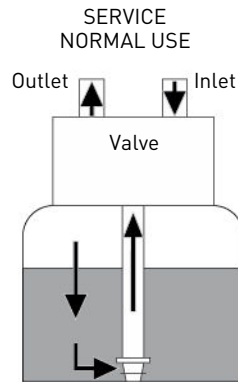
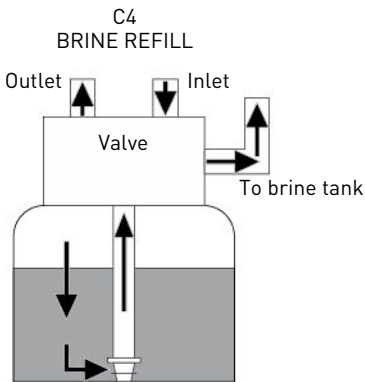
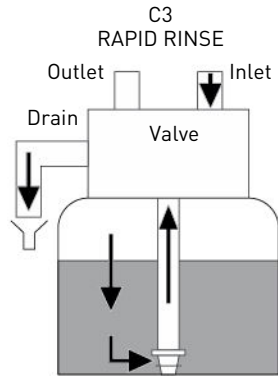
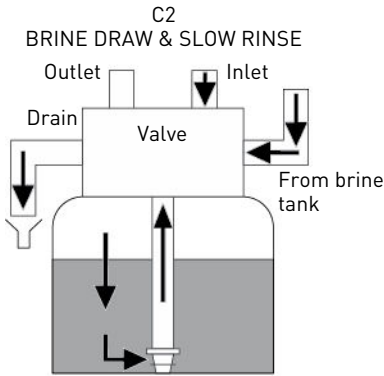
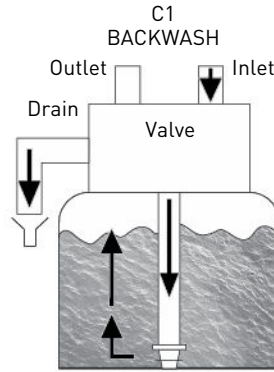
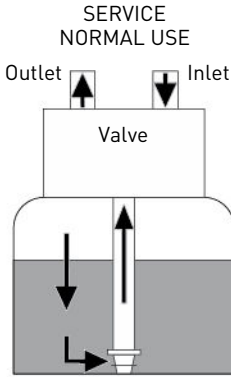
The valve directs water down through the resin bed and up through the riser tube to the drain. Any residual brine is rinsed from the resin bed, while the media bed is recompacted.

Brine tank refill — cycle C4

Water is directed to the brine tank, at a rate controlled by the refill controller [BLFC], to create brine for the next regeneration. During brine refill, treated water is already available at the valve outlet.

**Note**

For illustration purpose only. Always verify inlet and outlet marking on the valve.



3.4.2. Upflow regeneration cycle (5-cycles operation)

Service — normal use

Untreated water is directed down through the resin bed and up through the riser tube. The hardness ions attach themselves to the resin and are removed from the raw water being exchanged on the resin beads against sodium ions. The water is conditioned as it passes through the resin bed.

Brine draw & slow rinse — cycle C1

The controller directs water through the brine injector and brine is drawn from the brine tank. The brine is then directed down through the riser tube and up through the resin bed to the drain. The hardness ions are replaced by sodium ions and are sent to the drain. The resin is regenerated during the brine cycle. Then the slow rinse phase starts.

Backwash — cycle C2

The flow of water is reversed by the valve and directed down through the riser tube and up through the resin bed. During the backwash cycle, the bed is expanded and debris is flushed to the drain, while the media bed is remixed.

Rapid rinse — cycle C3

The controller valve directs water down through the resin bed and up through the riser tube to the drain. Any residual brine is rinsed from the resin bed, while the media bed is recompact.

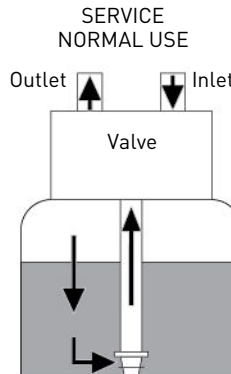
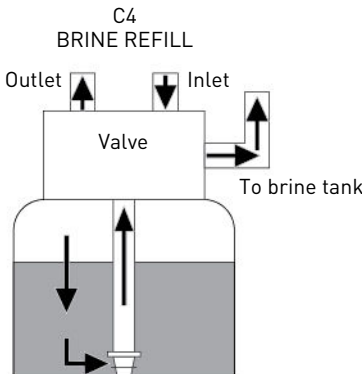
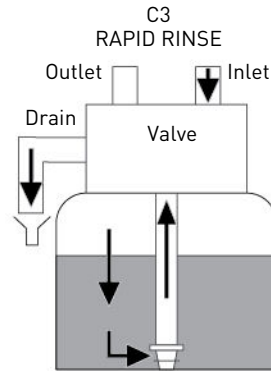
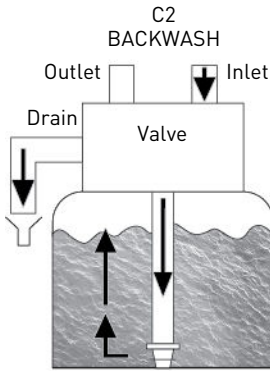
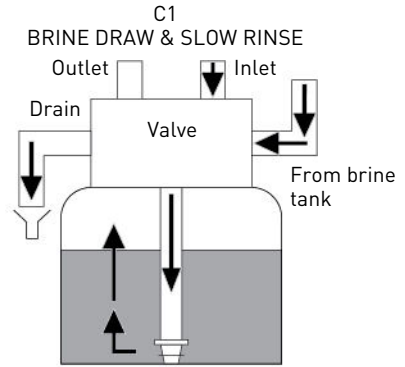
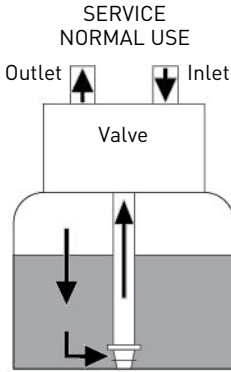
Brine tank refill — cycle C4

Water is directed to the brine tank, at a rate controlled by the refill controller [BLFC], to create brine for the next regeneration. During brine refill, treated water is already available at the valve outlet.



Note

For illustration purpose only. Always check for inlet and outlet marking on the valve.



3.4.3. Filter cycle (3-cycles operation)

Service — normal use

Untreated water is directed down through the media and up through the riser tube. The impurities are retained by the media. The water is filtered as it passes through the media.

Backwash — cycle C1

The flow of water is reversed by the valve and directed down through the riser tube and up through the resin bed. During the backwash cycle, the bed is expanded and debris is flushed to the drain, while the media bed is remixed.

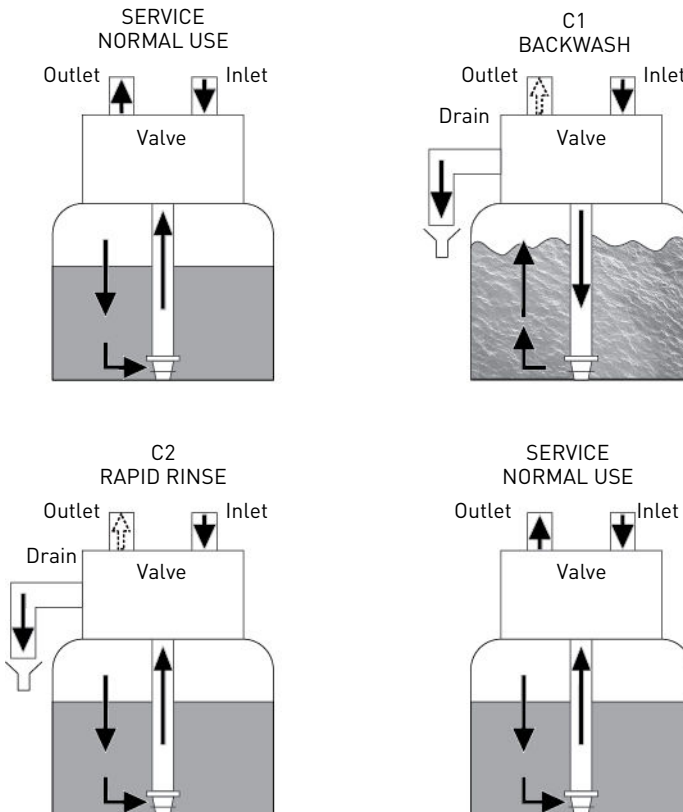
Rapid rinse — cycle C2

The valve directs water down through the media and up through the riser tube to the drain. The media bed is recompact.



Note

For illustration purpose only. Always verify inlet and outlet marking on the valve.



3.5. Configurations for downflow softener, upflow softener and filter

3.5.1. Downflow softener

The valve is mounted with the **DF** piston kit, part number BR61837.
The injector is in the upper hole and the plug in the lower hole.

3.5.2. Upflow softener

The valve is mounted with the **UF** piston kit, part number BR61838.
The injector is in the lower hole and the plug in the upper hole.

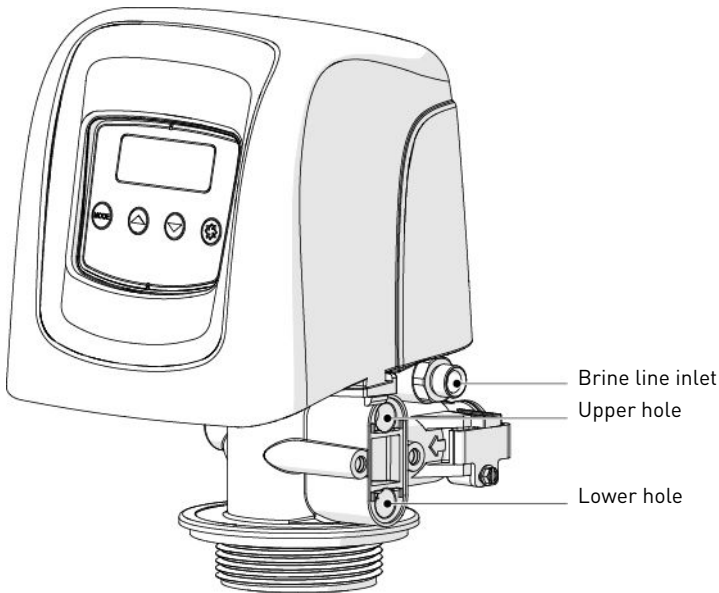


Note

For upflow configuration, the injector cap is fitted with a pressure regulator.

3.5.3. Filter

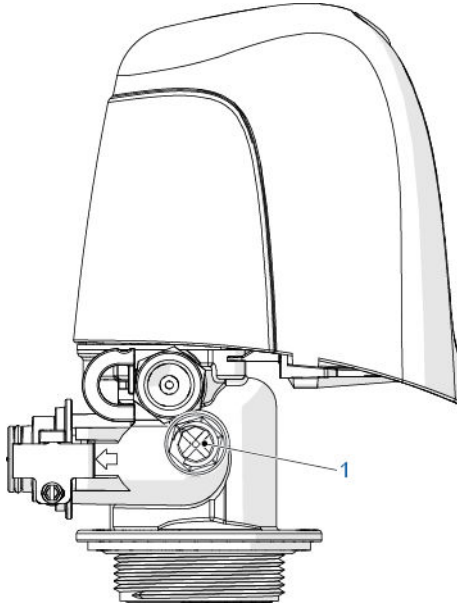
A plug is placed in both holes and in the brine line inlet.



3.6. Options available on the valve

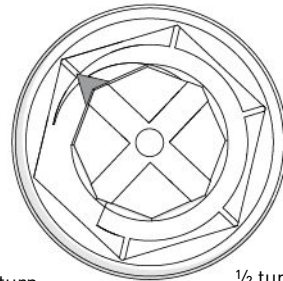
Mixing device

The valve can be equipped with a mixing device (1) whose function is to regulate the hardness of the water at the outlet. The mixing can be set from 0% to 50% of hard water (i.e. 0 turn = 0% of hard water with 100% of treated water and 1-½ turn = 50% of hard water with 50% of treated water).



0 turn
1 turn

¼ turn
1 - ¼ turn



¾ turn

½ turn
1 - ½ turn

4. System sizing

4.1. Recommendations

4.1.1. Injector/DLFC/BLFC-Valve configuration

Valve type	Diameter	Resin volume	Injector				DLFC	BLFC	
	[in]	L	DF	Color	UF	Color	[gpm]	DF [gpm]	UF [gpm]
5800/ 1650	6	5 - 8	000	Brown	000	Brown	1.2	0.125	0.125
	7	9 - 14					1.5		
	8	15 - 21					2		
		25 - 28					2.4		
	9	30	00	Violet	00	Violet	3.5		
	10	35 - 40					4		
	12	45 - 50	0	Red	0	Red	5	0.25	0.25
		55					7		
	13	60 - 65	1	White	1	White	5	0.50	0.50
	14	70 - 85							
90 - 100		3	Yellow	3	Yellow	7			
16	105 - 115	3	Yellow	3	Yellow	7			



Note

In upflow configuration, the injector cap is fitted with a pressure regulator set to 1.4 or 2 bar.

4.2. Sizing a softener (single unit)

4.2.1. Parameters to be considered

Whenever installing a softener, it is preferable to have full water analysis to ensure the inlet water content will not affect the resin bed.



Note

Please consult your resin manufacturer specifications to ensure that no additional pretreatment prior to softening is required.

The below sizing method can be applied for both residential and industrial softeners.

The sizing of a softener must be based upon certain parameters:

- inlet water hardness;
- peak flow rate and nominal flow rate;
- service velocity;
- salt dosage.

The softening and regeneration reactions are driven under certain conditions. To allow these reactions to take place, make sure that the velocity is convenient during the different phases for proper ion exchange. This velocity is given in the resin manufacturer specifications sheet.

Depending on the inlet water hardness, the service velocity for standard softening must be between:

Service velocity [bed volume per hour]	Inlet water hardness [mg/l as CaCO ₃]	°f °TH	°dH
8 - 40	<350	<35	<19.6
8 - 30	350 to 450	35 - 45	19.6 - 25.2
8 - 20	>450	>45	>25.2



Note

Failure to respect the service velocity will lead to hardness leakage or even total softener inefficiency.

Note that the water supply piping size may also be useful when estimating the nominal flow rate, since the size of the piping allows a maximum flow rate to pass. Assuming the maximum velocity of water in pipes is about 3 m/s, a good estimation for most common pressure [3 bar] and temperature [16°C] is:

Piping size (internal diameter)		Max. flow rate
[in]	[mm]	[m ³ /h at 3 m/s]
0.5	12	1.22
0.75	20	3.39
1	25	5.73

Piping size (internal diameter)		Max. flow rate
[in]	[mm]	[m ³ /h at 3 m/s]
1.25	32	8.69
1.5	40	13.57
2.0	50	21.20
2.5	63	34.2
3.0	75	49.2

4.2.2. Determining the required volume of resin

When sizing a softener, make sure that the volume of resin in the tank (bed volume) will be sufficient so that even when the peak flow rate is reached, the velocity is still between the above values depending on the hardness. When sizing a softener, always choose the resin volume and tank size based on the peak flow rate but not on the nominal flow rate.



Note

Sizing on the nominal flow rate without taking the peak flow rate into account would result in choosing smaller tank size and resin volume, and may lead in severe hardness leakage during the service cycle when the peak flow is reached.

The maximum softened water flow rate that a softener can produce is given by the following formula:

$$Q_{\text{service max}} = F_{\text{service}} \times BV$$

with:

$Q_{\text{service max}}$: service flow rate [m³/h]

F_{service} : service velocity [BV/h]

BV: bed volume of resin [m³]

Knowing this required volume of resin, it is possible now to determine the tank you need. Note that at least a third of the total volume of the tank must be kept as free space so that the bed expansion during backwash is sufficient to ensure correct cleaning of the resin.

4.2.3. Resin exchange capacity and capacity of the unit

The resin exchange capacity and capacity of the unit are two different things that should not be confused. The resin exchange capacity is the amount of Ca^{2+} and Mg^{2+} that can be retained by 1 litre of resin, which will depend on the resin type and salt dosage, whereas the capacity of the unit is the capacity of the system, which will depend on the volume of resin and resin exchange capacity.

Knowing the required volume of resin, you can determine the exchange capacity of the unit. The capacity of the unit can be expressed in different ways:

- the mass capacity, which corresponds to the weight in equivalent CaCO_3 that can be fixed on the resin, expressed in kg as CaCO_3 ;
- the volume capacity, which represents the maximum amount of water that can be treated between two regenerations. This last capacity takes into account the hardness of the water to be treated and is expressed in m^3 or litres;
- the combined capacity, which represents the volume of water that could be treated between two regenerations if the inlet hardness is 1 °f or °dH. This capacity is expressed in °f.m³ or °dH.m³.

The resin exchange capacity will depend on the amount of salt to be injected into the resin bed during the regeneration. This amount of salt is given in grams per litre of resin. The next table is showing the resin exchange capacity in function of the amount of salt for a system with standard efficiency regeneration.

Resin exchange capacity as a function of the salt dosage:

Salt amount [g/L _{resin}]	Corresponding resin exchange capacity in [g/L _{resin}] as CaCO_3	°f.m ³ [per L _{resin}]	°dH.m ³ [per L _{resin}]
50	29.9	2.99	1.67
60	34	3.4	1.9
70	37.5	3.75	2.09
80	40.6	4.06	2.27
90	43.4	4.34	2.42
100	45.9	4.59	2.56
110	48.2	4.82	2.69
120	50.2	5.02	2.8
130	52.1	5.21	2.91
140	53.8	5.38	3.01
150	55.5	5.55	3.1

Salt amount [g/L _{resin}]	Corresponding resin exchange capacity in [g/L _{resin}] as CaCO ₃	°f.m ³ [per L _{resin}]	°dH.m ³ [per L _{resin}]
170	58.5	5.85	3.27
200	62.7	6.27	3.5
230	66.9	6.69	3.74
260	71	7.1	3.97
290	75.3	7.53	4.21

To calculate the system mass capacity:

$$M_{\text{capacity}} = V_{\text{resin}} \times C_{\text{resin ex}}$$

with:

 M_{capacity} : system mass capacity [g as CaCO₃]

 V_{resin} : volume of resin [L]

 $C_{\text{resin ex}}$: resin exchange capacity [g/L_{resin} as CaCO₃]

To calculate the system combined capacity:

$$C_{\text{capacity}} = V_{\text{resin}} \times C_{\text{cor resin ex}}$$

with:

 C_{capacity} : system combined capacity [°f.m³ or °dH.m³]

 V_{resin} : volume of resin [L]

 $C_{\text{cor resin ex}}$: corresponding resin exchange capacity
[°f.m³/L or °dH.m³/L]

To calculate the system volume capacity:

$$V_{\text{capacity}} = M_{\text{capacity}} / TH_{\text{inlet}}$$

or

$$V_{\text{capacity}} = C_{\text{capacity}} / TH_{\text{inlet}}$$

with:

 V_{capacity} : system volume capacity [m³]

 M_{capacity} : system mass capacity [g as CaCO₃]

 C_{capacity} : system combined capacity [°f.m³ or °dH.m³]

 TH_{inlet} : inlet water hardness [mg/L as CaCO₃ or °f or °dH]

Caution

 If a mixing device is set on the valve before meter, $TH = TH_{\text{inlet}} - TH_{\text{outlet}}$.

Having determined the previous capacity allows the operator to know the service cycle duration.

4.2.4. Valve configuration

Knowing the volume of resin, tank size and specifications of the resin, it is possible to determine the required valve configuration. The resin specification will give the backwash velocity, as well as the brine draw and slow rinse velocity that must be respected in order to ensure a proper regeneration of the unit. From this data, determine the required backwash flow rate as well as the brine draw and slow rinse flow rate. In most cases, the fast rinse flow rate will be the same as the backwash flow rate, however for certain valve types the fast rinse flow rate will be the same as the service flow rate.

To determine the backwash flow rate:

$$Q_{\text{backwash}} = F_{\text{Sbackwash}} \times S$$

with:
 Q_{backwash} : backwash flow rate [m³/h]
 $F_{\text{Sbackwash}}$: backwash velocity [m/h]
 S : Tank_{cross section area} [m²]

The DLFC installed on the valve has to limit the backwash flow rate to the above calculated flow rate.

To determine the injector size:

The velocities to be respected for brine draw and slow rinse are given on the resin manufacturer specifications. Generally speaking, the injector has to allow a flow rate of about 4 BV/h (corresponding to the flow rate of brine being drawn added to the flow rate of raw water passing through the injector nozzle to create the suction effect).

$$Q_{\text{Inj}} = 4 \times \text{BV} / \text{h}$$

with:
 Q_{inj} : total flow rate passing through the injector [L/h]
 BV: bed volume of resin [L]



Note

This value does not correspond to the brine draw flow rate but to the total flow rate passing through the injector. Then refer to the injector diagrams at the inlet pressure in order to check if the injector will give a correct flow rate. See chapter 4.4. 1650 Injector flow rates, page 34.

4.2.5. Cycle time calculation

From this point, the volume of resin, the tank size, the capacity of the softener and the valve configuration are determined. Next step is to calculate the regeneration cycle duration, which depends on the valve configuration and once again on the resin specifications.



Note

Preprogrammed cycle times are only factory default programming that need to be adjusted to fit the system requirements.

For cycle time calculation the valve configuration must be known, which depends on:

- the tank size;
- the resin specifications for the velocity for backwashing the resin bed;
- the velocity of water for brine draw, slow rinse and fast rinse.

Further information needed for cycle time calculation are:

- the resin volume previously determined;
- the salt amount used per regeneration;
- the volume of water to use for backwash, brine draw, slow rinse and fast rinse.

To calculate the backwash duration:

$$T_{\text{backwash}} = (N_{\text{BVbw}} \times \text{BV}) / Q_{\text{DLFC}}$$

with:

T_{backwash} : backwash duration [min]
 N_{BVbw} : number of bed volume for backwash
 BV: bed volume [L]
 Q_{DLFC} : drain line flow controller size [L/min]



Note

The typical value of the volume of water to be used for backwash is between 1.5 and 4 times the bed volume, depending on the inlet water quality.

To calculate the brine draw duration:

Knowing the injector draw flow rate at the working pressure:

$$T_{\text{brine draw}} = V_{\text{brine}} / Q_{\text{draw}}$$

with:
 $T_{\text{brine draw}}$: brine draw duration [min]
 V_{brine} : brine volume to be drawn [L], see Refill calculation page 33
 Q_{draw} : injection draw flow rate [L/min]



Note

Multiply the amount of salt in kg by 3 to get a approximation of the brine volume to draw.

To calculate slow rinse duration:

The volume of water to be used for slow rinse is given in the resin manufacturers specifications. Generally speaking, it is advised that between 2 and 4 BV of water is used to perform the slow rinse after brine draw. The slow rinse cycle allows brine to be pushed slowly through the resin bed, allowing the resin to be in contact with brine for sufficient time and therefore to be regenerated.

Refer to the injector curve at the common working pressure to determine the slow rinse duration.

$$T_{\text{slow rinse}} = (N_{\text{BVsr}} \times \text{BV}) / Q_{\text{SR}}$$

with:
 $T_{\text{slow rinse}}$: slow rinse duration [min]
 N_{BVsr} : number of bed volume for slow rinse
 BV: bed volume [L]
 Q_{SR} : injector slow rinse flow rate [L/min]

To calculate fast rinse duration:

The fast rinse is aimed at eliminating an excess of salt in the resin bed and also recompacting the resin in the tank.

Depending on the valve type, the fast rinse flow rate is controlled by the DLFC or it has about the same flow rate as in service. The fast rinse velocity can be the same as the service velocity, and the volume of water to be used for the fast rinse is generally between 1 and 10 BV depending on the salt dosage.

$$T_{\text{fast rinse}} = (N_{\text{BVfr}} \times \text{BV}) / Q_{\text{DLFC}}$$

with:
 $T_{\text{fast rinse}}$: fast rinse duration [min]
 N_{BVfr} : number of bed volume for fast rinse
 BV: bed volume [L]
 Q_{DLFC} : drain line flow controller size [L/min]

To calculate the refill duration:

The refill flow rate is controlled by the refill controller (BLFC). The relation between the BLFC size, the tank size and the resin volume is given in the valve specifications.

To calculate the refill duration:

$$T_{\text{refill}} = V_{\text{WB}} / Q_{\text{BLFC}}$$

with:

T_{refill} : refill duration [min]

V_{WB} : Volume of water to be refill to prepare the brine [L]

Q_{BLFC} : BLFC size [L/min]

$$V_{\text{WB}} = D_{\text{Salt}} \times BV / S_{\text{sol}}$$

with:

V_{WB} : Volume of water to be refill to prepare the brine [L]

D_{Salt} : Salt dosage per litre of resin [g/L]

BV : Bed volume [L]

S_{sol} : 360g/L - Solubility of salt per litre of water



Note

When calculating the time required to draw the brine, take into account that the volume of brine [V_{brine}] will be 1.125 bigger than the volume of water refilled.

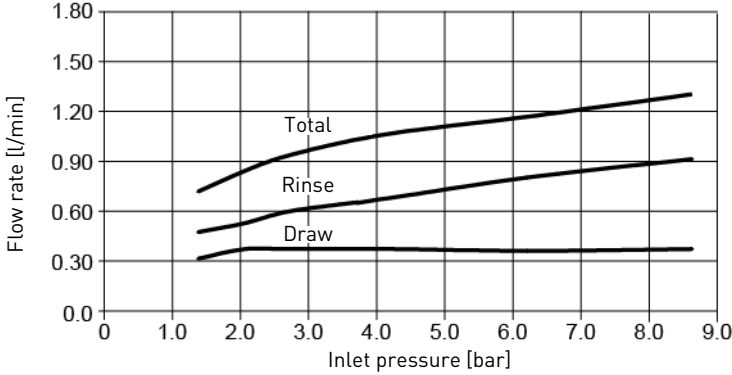
4.3. Salt amount definition

The salt setting is done through the controller programming.

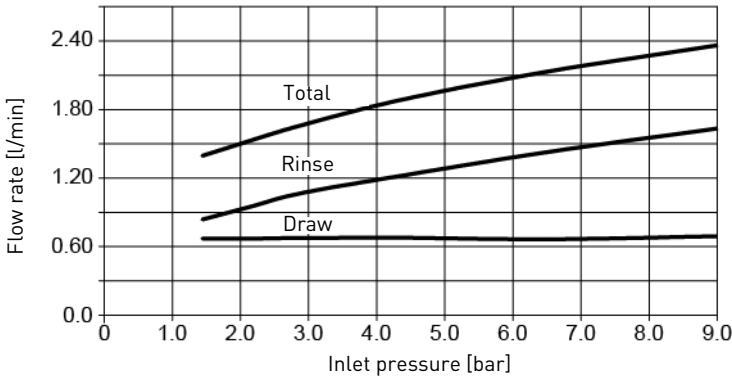
4.4. 1650 Injector flow rates

The following tables and graphics represent the injectors flow rate as a function of the inlet pressure for the different injector sizes.

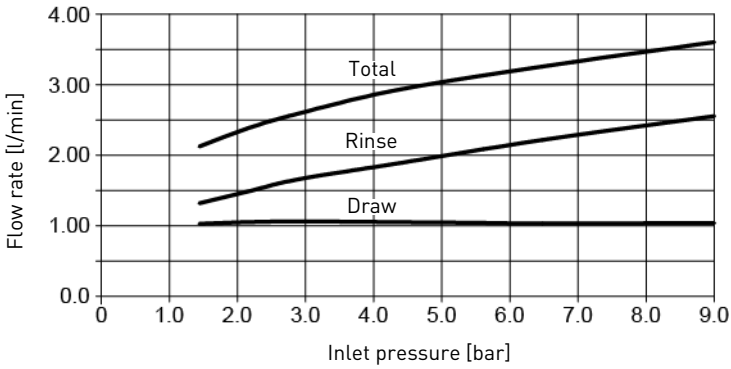
INJECTOR 000



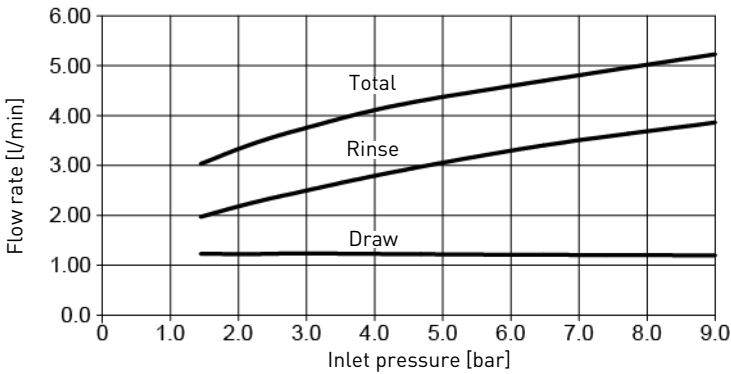
INJECTOR 00



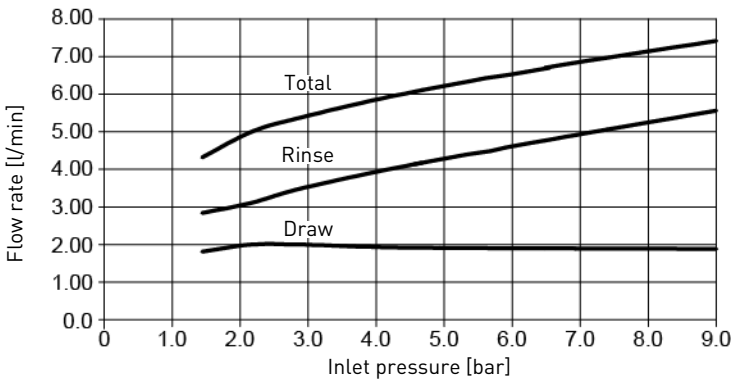
INJECTOR 0



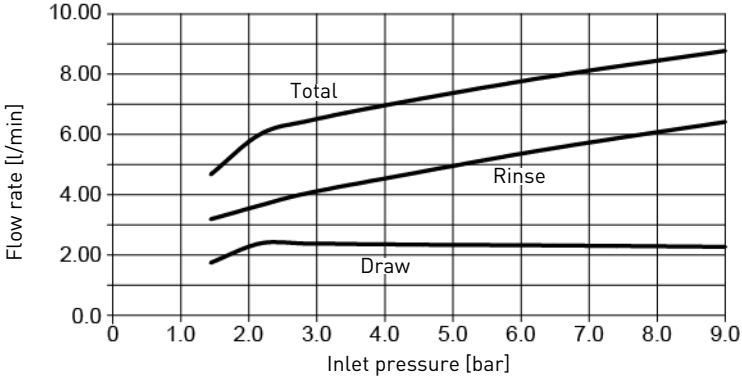
INJECTOR 1



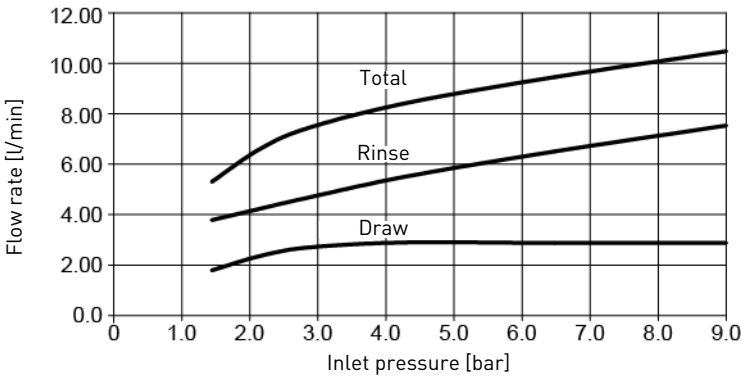
INJECTOR 2



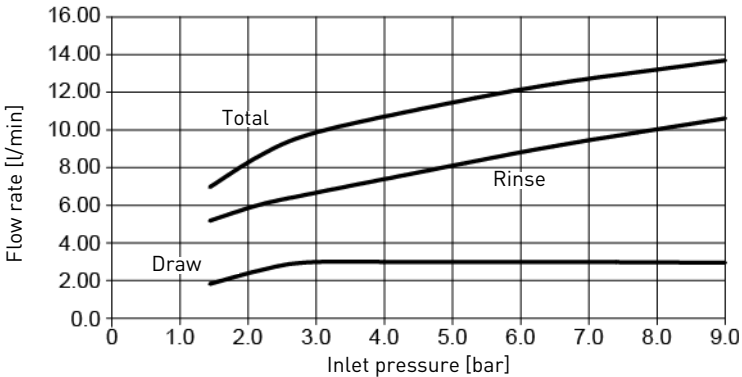
INJECTOR 3



INJECTOR 4



INJECTOR 5



5. Installation



Mandatory

It is strictly forbidden for not qualified personal, to accede to system's internal parts to perform any kind of technical action. Be sure to disconnect the electrical power, close the water inlet and depressurize the system before opening the front cover to access internal parts.

5.1. Warnings

The manufacturer will not be held liable for any damages to people or properties resulting from an improper use of the device not compliant with the following instructions.

Whenever this guide doesn't clarify all doubts about installation, service or maintenance, please contact the technical support of the company that has installed the device.

Device installation must be done by a qualified technician according to the current standards and regulations, using tools compliant with the device for a safe use and referring to that technician also for device maintenance.

In case of out of order or malfunction, before performing any kind of action on the device, please ensure to have disconnected the transformer from the power source, to shut off inlet water supply to the valve and to drain water pressure opening a tap down-line of the valve.

1. Be careful when removing the valve from the box and during subsequent handling, weight is liable to cause damage to property and persons in case of accidental impact.
2. Before sending the water on the valve, make sure that all plumbing connections are tight and properly implemented in order to avoid dangerous leaks of pressurized water.
3. Use caution when installing welded metal piping near the valve, the heat may damage the plastic body of the valve and the bypass.
4. Be careful not to let the full weight of the valve rest on fittings, pipes or bypass and vice versa.
5. Make sure that the environment in which the valve is installed does not reach water freezing temperatures, the valve may be damaged.
6. Make sure that the tank containing the resin is vertical, otherwise the resin could enter in the valve and damage it.

5.2. Safety notices for installation

- Observe all warnings that appear in this manual;
- only qualified and professional personnel are authorized to carry out installation work.

5.3. Installation environment

5.3.1. General

- Use only brine salts designed for water softening. Do not use ice melt salt, block, or rock salts;
- keep the media tank in the upright position. Do not turn on its side, upside down, or drop; Turning the tank upside down may cause media to enter the valve or plug the upper screen;

- follow State and local codes for water testing. Do not use water that is micro-biologically unsafe or of unknown quality;
- when installing the water connection (bypass or manifold) first connect to the plumbing system. Allow heated parts to cool and cemented parts to set before installing any plastic parts. Do not get primer or solvent on O-rings, nuts, or the valve.

5.3.2. Water

- Water temperature must not exceed 43°C;
- a minimum of 1.4 bar (dynamic pressure on injector) of water pressure is required for the regeneration valve to operate effectively.



Mandatory

Do not exceed a maximum of 8.6 bar inlet pressure. Should this happen or be subject to happen, it is necessary to install a pressure regulator upstream the system.

5.3.3. Electrical

There are no user-serviceable parts in the AC/DC transformer, motor, or controller. In the event of a failure, these should be replaced.

- All electrical connections must be completed according to local codes;
- use only the power AC/DC transformer that is supplied;



Mandatory

The use of any other power transformer than the one supplied void the warranty of all electronic parts of the valve.

- the power outlet must be grounded;
- to disconnect power, unplug the AC/DC transformer from its power source;
- an uninterrupted current supply is required. Please make sure that the voltage supply is compatible with the unit before installation;
- make sure the controller power source is plugged in;
- if the electrical cable is damaged, it must imperatively be replaced by qualified personnel.

5.3.4. Mechanical



Caution

Do not use petroleum-based lubricants such as Vaseline, oils, or hydrocarbon-based lubricants. Do not use silicon grease. Use only P-80[®] Emulsion lubricant (water based lubricant). Using another lubricant may damage the valve.

- All plastic connections should be hand tightened. PTFE (plumber's tape) may be used on connections that do not use an O-ring seal. Do not use pliers or pipe wrenches;

- existing plumbing should be in a good shape and free from limescale. In case of doubt, it is preferable to replace it;
- all plumbing must be completed according to local codes and installed without tension or bending stresses;
- soldering near the drain line should be done before connecting the drain line to the valve. Excessive heat will cause interior damage to the valve;
- do not use lead-based solder for sweat solder connections;
- the riser tube should be cut flush with the top of the tank. Slightly bevel the ridge in order to avoid deterioration of the seal whilst fitting the valve;
- the drain line must be a minimum of 12.7 mm (1/2") in diameter. Use 19 mm (3/4") pipe if the backwash flow rate is greater than 26.5 lpm (7 gpm) or the pipe length is greater than 6 m (19 ft 8 in);
- do not support the weight of the system on the valve fittings, plumbing, or the bypass;
- it is not recommended to use sealants on the threads. Use PTFE (plumber's tape) on the threads of the drain elbow, and other NPT/BSP threads;
- the installation of a prefilter is always recommended (100µ nominal);
- valve inlet/outlet must be connected to main piping via flexible.

5.4. Integration constraints

Location of a water treatment system is important. The following conditions are required:

- flat and firm level platform or floor;
- room to access equipment for maintenance and adding brine (salt) to tank;
- constant electrical supply to operate the controller;
- total minimum pipe run to water heater of 3 m to prevent backup of hot water into system;
- always install check valve before water heater to protect the softener from hot water return;
- local drain for discharge as close as possible;
- water line connections with shut off or bypass valves;
- must meet any local and state codes for site of installation;
- valve is designed for minor plumbing misalignments. Do not support weight of system on the plumbing;
- be sure all soldered pipes are fully cooled before attaching plastic valve to the plumbing.

5.5. Valve connection to piping

The connections should be using PTFE (plumber's tape) on the threads if using the threaded connection type.

In case of heat welding (metal type connection), the connections should not be made to the valve when soldering.



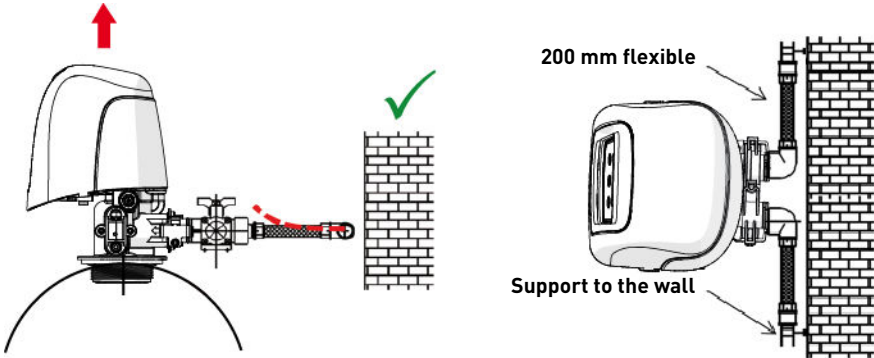
Note

See chapter 3.3. Description and components location, page 16 to identify the connections.

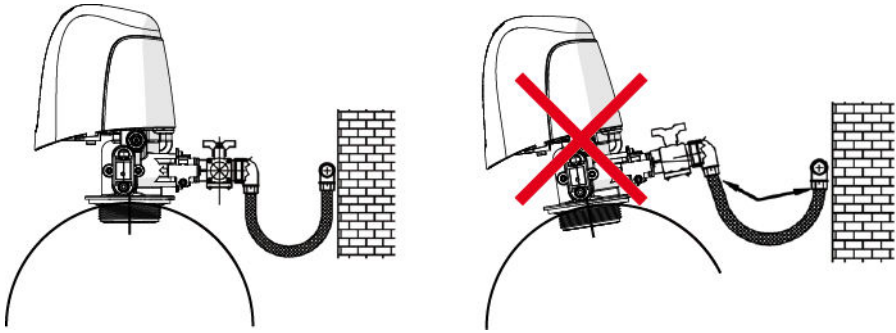
5.5.1. Top-mounted valve installation

When pressurized, any composite tank will expand both vertically and circumferential. In order to compensate the vertical expansion, the piping connections to the valve must be flexible enough to avoid overstress on the valve and tank.

In addition, the valve and tank should not be supporting any part of the piping weight. This is hence compulsory to have the piping fixed to a rigid structure (e.g. frame, skid, wall...) so that the weight of it is not applying any stress on the valve and tank.



- The diagrams above illustrate how the flexible piping connection should be mounted;
- in order to adequately compensate the tank elongation the flexible piping must be installed **horizontally**;
- should the flexible piping connection be installed in vertical position, instead of compensating the elongation, it will create additional stresses on the valve & tank assembly. Therefore this is to be avoided;
- the flexible piping connection must also be installed stretched, avoiding excessive length. For instance 20 - 40 cm is enough;
- excessively long and non-stretched flexible piping connection will create stresses on the valve and tank assembly when the system is pressurized, as illustrated in the below picture: on the left the assembly when the system is unpressurised, on the right the flexible piping connection when put under pressure tends to lift up the valve when stretching up. This configuration is even more dramatic when using semi-flexible piping;
- failure to provide enough vertical compensation may lead to different kinds of damage, either on the valve thread which connects to the tank, or on the female thread connection of the tank that connects to the valve. In some cases, damage may also be seen on the valve inlet and outlet connections;

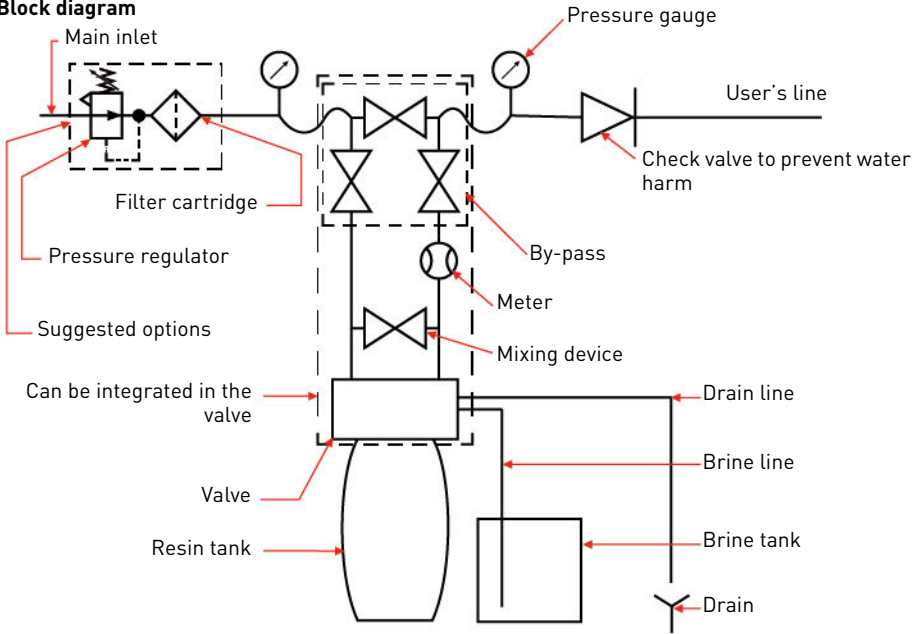


- in any case, any failure caused by improper installation and/or piping connections may void the warranty of Pentair products;
- in the same way, using lubricant* on the valve thread is not allowed and will void the warranty for the valve and tank. Indeed using lubricant there will cause the valve to be over-torqued, which may lead to valve thread or tank thread damage even if the connection to piping has been done following the above procedure.

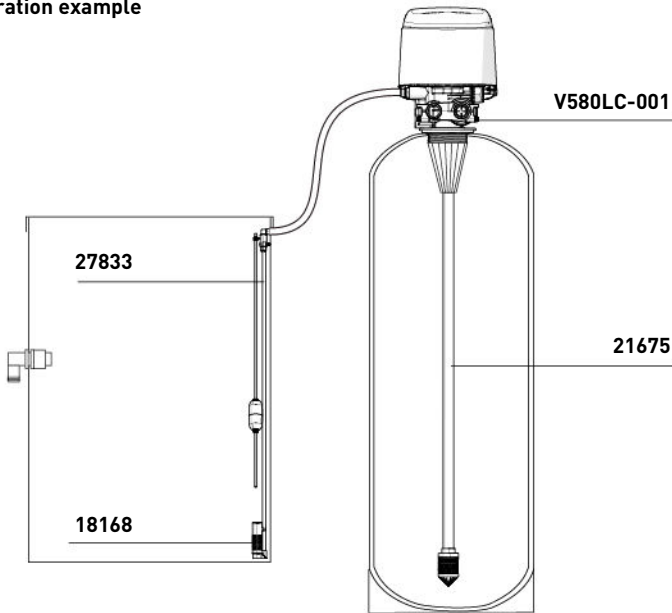
*Note: Use of petroleum-based grease and mineral based lubricant is totally forbidden, not only on the valve thread, since plastics used (especially Noryl) will highly suffer from contact with this type of grease, leading into structural damage hence to potential failures.

5.6. Block diagram and configuration example

Block diagram



Configuration example



5.7. Regeneration types

Softener metered delayed:

The controller measures the water usage. The system regenerates at the pre-programmed time after the calculated system capacity is depleted. The controller calculates the system capacity by dividing the unit capacity by the feedwater hardness.

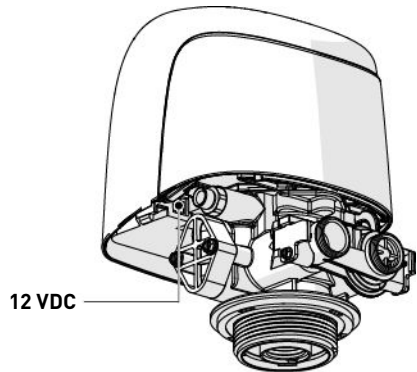
Softener time clock delayed:

The controller will regenerate based on a set number of days of operation. The controller will regenerate the system, at the pre-programmed regeneration time, when the number of days since the last regeneration equals the set number of days.

Filter Metered Immediate:

Regenerates the system immediately after the selected volume override value is depleted. A filter immediate controller will also start a regeneration cycle at the selected regeneration time if a number of days equal to the day override pass before water usage depletes the calculated system capacity.

5.8. Electrical connections

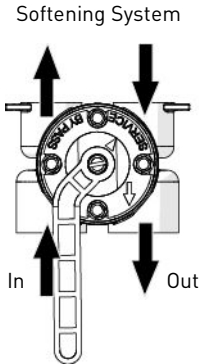


- 12 VDC
- Main motor
- Flow meter
- 12 VDC IN

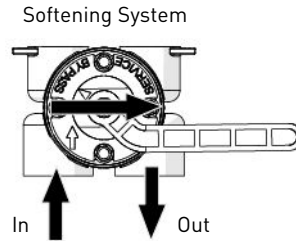
5.9. By-passing

A bypass valve system should be installed on all water conditioning systems. Bypass valves isolate the softener from the water system and allow unconditioned water to be used. Service or routine maintenance procedures may also require that the system is bypassed.

Normal operation



In Bypass



Caution

Do not solder pipes with lead-based solder.



Caution

Do not use tools to tighten plastic fittings. Over time, stress may break the connections.



Caution

Do not use petroleum grease on gaskets when connecting bypass plumbing. Do not use silicon grease. Use only P-80[®] Emulsion lubricant (water based lubricant). Using another lubricant may damage the valve.

5.10. Drain line connection



Note

Standard commercial practices are expressed here. Local codes may require changes to the following suggestions. Check with local authorities before installing a system.



Caution

The drain line plastic elbow must always be hand-tighten without using the elbow as a lever.



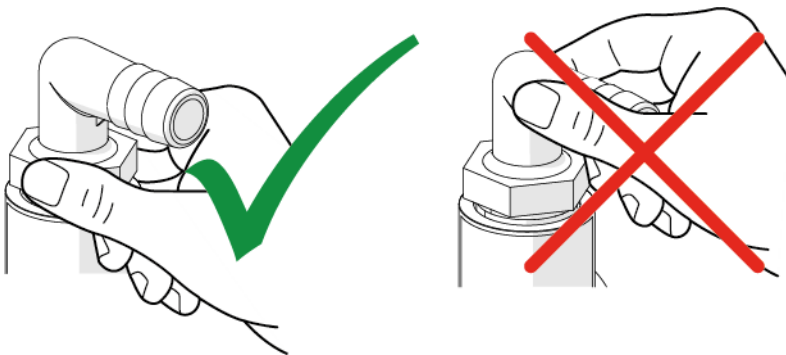
Caution

The drain plastic elbow is not designed to support the weight of the tube. The tube has to have its own support.



Caution

Do not over tighten the hose tightening ring on its plastic support.



Preferably, the unit should not be more than 6.1 m from the drain. Use an appropriate adapter fitting to connect plastic tubing to the drain line connection of the valve.

If the backwash flow rate exceeds 58 lpm or if the unit is located 6.1-12.2 m from the drain, use 25.4 mm (1") tubing. Use appropriate fittings to connect the 25.4 mm (1") tubing to the 19.0 mm (¾") drain connection on the valve.

The drain line may be elevated up to 1.8 m providing the run does not exceed 4.6 m and water pressure at the softener is not less than 2.76 bar. Elevation can increase by 61 cm for each additional 0.69 bar of water pressure at the drain connector.

Where the drain line is elevated but empties into a drain below the level of the valve, form a 18 cm loop at the far end of the line so that the bottom of the loop is level with the drain line connection. This will provide an adequate siphon trap.

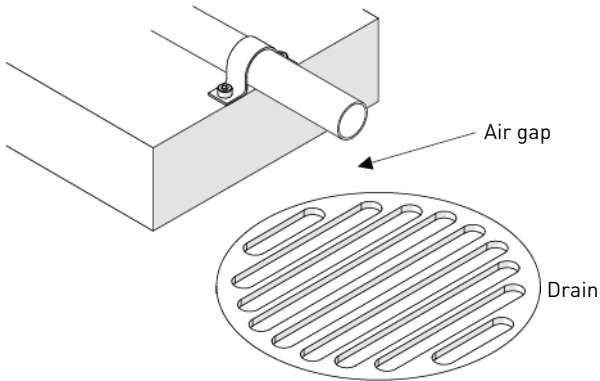
Where the drain empties into an overhead sewer line, a sink-type trap must be used. Secure the end of the drain line to prevent it from moving.

**Note**

Waste connections or the drain outlet shall be designed and constructed to provide connection to the sanitary waste system through an air-gap of 2 pipe diameters or 50.8 mm (2"), whichever is larger.

**Caution**

Never insert the drain line directly into a drain, sewer line or trap. Always allow an air gap between the drain line and the wastewater to prevent the possibility of sewage being back-siphoned into the softener.



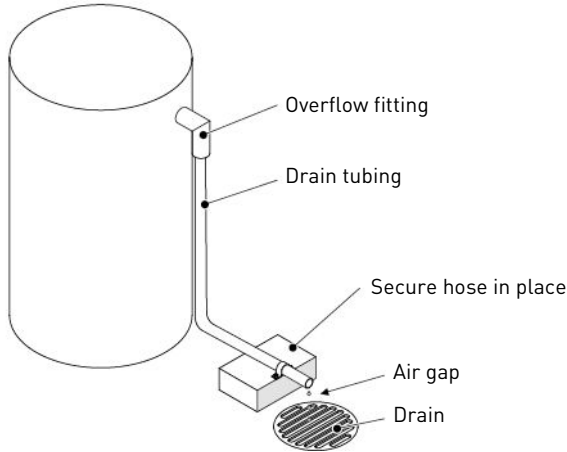
5.11. Overflow line connection

In the event of a malfunction, power failure, etc, the brine tank overflow fitting will direct “overflow” to the drain instead of spilling on the floor. This fitting should be on the side of the cabinet or brine tank. Most tank manufacturers include a post for the tank overflow connector.

To connect the overflow line, locate the hole on side of tank. Insert overflow fitting into tank and tighten with plastic thumb nut and gasket as shown below. Attach a length of 12.7 mm (½”) I.D. tubing (not supplied) to fitting and run to drain.

Do not elevate overflow higher than overflow fitting.

Do not tie into drain line of controller unit. Overflow line must be a direct, separate line from overflow fitting to drain, sewer or tub. Allow an air gap as per drain line instructions.



Caution

Floor drain is always recommended to avoid flooding in case of overflow.

5.12. Brine line connection

The brine line from the tank connects to the valve. Make the connections and hand tighten. Be sure that the brine line is secure and free from air leaks. Even a small leak may cause the brine line to drain out, and the softener will not draw brine from the tank. This may also introduce air into the valve, causing problems with the valve operation.

Most installations utilize a tank check valve.

6. Programming



Note

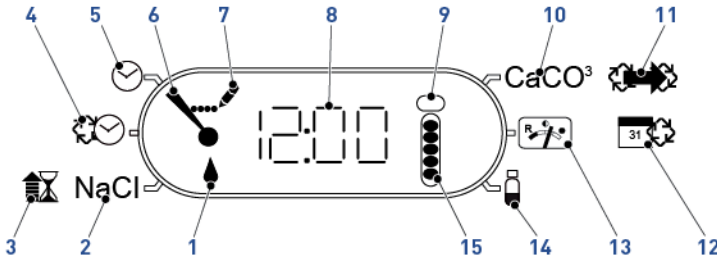
If no button is pressed for 30 seconds in the programming mode the controller returns to Service mode.



Note

During programming, the controller continues to operate normally monitoring water usage and keeping all data up to date.

6.1. Display



- 1. Flow indicator → Flashes when outlet flow is detected.
- 2. Salt amount → g/l (Metric) or lbs (US unit)
- 3. Backwash length → min
- 4. Time of regeneration/backwash
- 5. Time of day
- 6. Display position
- 7. Programming icon → Appears in programming mode
- 8. Data display
- 9. Service icon → Appears in service mode;
→ Flashes if a regeneration cycle has been queued.
- 10. Hardness → mg/l (Metric)
- 11. Days between regenerations/backwash
- 12. Remaining days until regeneration/backwash
- 13. Capacity remaining → m³ (Metric)
- 14. Resin → l (Metric) or F in case of filtration.
- 15. Capacity remaining → Gauge

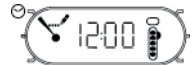
6.2. Commands

- A Press MODE to pass to the next programming option.
- B Press and hold ▼ or ▲ until the Time of Day icon appears.
- C Use ▼ and ▲ to adjust the values.
- D Press ↻ and hold until the Programming icon disappears to save your programming.

6.3. Setting the time of the day

Set the time in the system.

- A Press MODE until display position point to the Time of Day icon.
- B Press and hold ▼ or ▲ until the Programming icon appears.
- C Set the time with ▼ or ▲.
- D Press ↻ and hold to validate the selection and return to the service mode.



6.4. Master programming

6.4.1. Setting the amount of resin in the tank



Note

Setting the amount of resin in the tank must be done first. Anytime this parameter is changed, other parameters (salt dosage, water hardness,...) will be reset to default value.

- A Press MODE until display position point to the Resin icon.
- B Press and hold ▼ or ▲ until the Programming icon appears.
- C Set the volume of resin with ▼ or ▲, 5 to 115 l (metric).
- D Press ↻ and hold to validate the selection and return to the service mode.

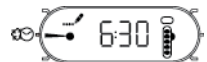


6.4.2. Softener meter delayed programming

6.4.2.1 Setting the regeneration time

Set the regeneration time in the system.

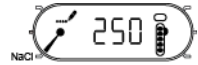
- A Press MODE until display position point to the Regeneration Time icon.
- B Press and hold ▼ or ▲ until the Programming icon appears.
- C Set the time with ▼ or ▲.
- D Press MODE to go to the next parameter, or press ↻ and hold to validate the selection and return to the service mode.



6.4.2.2 Setting the salt amount

Set the salt amount in the system.

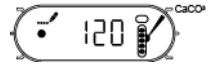
- A Press MODE until display position point to the Salt Amount icon.
- B Press and hold ▼ or ▲ until the Programming icon appears.
- C Set the salt amount with ▼ or ▲, 50 to 290 g/l (metric).
- D Press MODE to go to the next parameter, or press ↻ and hold to validate the selection and return to the service mode.



6.4.2.3 Setting the water hardness

Set the water hardness in the system.

- A Press MODE until display position point to the Hardness icon.
- B Press and hold ▼ or ▲ until the Programming icon appears.
- C Set the water hardness with ▼ or ▲, 30 to 2000 mg/l (metric).
- D Press MODE to go to the next parameter, or press ↻ and hold to validate the selection and return to the service mode.



6.4.2.4 Remaining capacity



Note

The remaining capacity indicate the amount of water the system still can treat until next regeneration and cannot be adjusted.

- A Press MODE until display position point to the Remaining Capacity icon.
- B The display shows the remaining amount of water until next regeneration, in liters (metric).



Note

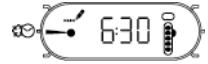
This unit has a day of the week reserve. It calculates a reserve for each day of the week based on the past four weeks.

6.4.3. Softener time clock delayed programming

6.4.3.1 Setting the regeneration time

Set the regeneration time in the system.

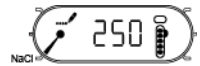
- A Press MODE until display position point to the Regeneration Time icon.
- B Press and hold ▼ or ▲ until the Programming icon appears.
- C Set the time with ▼ or ▲.
- D Press MODE to go to the next parameter, or press ↻ and hold to validate the selection and return to the service mode.



6.4.3.2 Setting the salt amount

Set the salt amount in the system.

- A Press MODE until display position point to the Salt Amount icon.
- B Press and hold ▼ or ▲ until the Programming icon appears.
- C Set the salt amount with ▼ or ▲, 50 to 290 g/l (metric).
- D Press MODE to go to the next parameter, or press ↻ and hold to validate the selection and return to the service mode.



6.4.3.3 Setting the number of days between regenerations

Set the number of days between regenerations in the system.

- A Press MODE until display position point to the Days Between Regenerations icon.
- B Press and hold ▼ or ▲ until the Programming icon appears.
- C Set the number of days between regenerations with ▼ or ▲, 1 to 30 days.
- D Press MODE to go to the next parameter, or press ↻ and hold to validate the selection and return to the service mode.



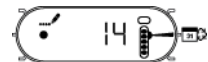
6.4.3.4 Days to regeneration



Note

The days to regeneration indicate the remaining days until next regeneration and cannot be adjusted.

- A Press MODE until display position point to the Days To Regeneration icon.
- B The display shows the remaining days until next regeneration.



6.4.4. Filter time clock programming


6.4.4.1 Setting the tank capacity of filtration



Note

Setting the tank capacity of filtration must be done first. Anytime this parameter is changed, other parameters (salt dosage, water hardness,...) will be reset to default value.


Set the tank capacity.

- A** Press MODE until display position point to the Resin icon.
- B** Press and hold ▼ or ▲ until the Programming icon appears.
- C** Set the tank capacity with ▼ or ▲, at F.
- D** Press  and hold to validate the selection and return to the service mode.



6.4.4.2 Setting the time of backwash


Set the time of backwash.

- A** Press MODE until display position point to the Time of Backwash icon.
- B** Press and hold ▼ or ▲ until the Programming icon appears.
- C** Set the time of backwash with ▼ or ▲.
- D** Press MODE to go to the next parameter, or press  and hold to validate the selection and return to the service mode.



6.4.4.3 Setting the backwash length

Set the backwash length.

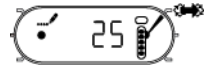
- A** Press MODE until display position point to the Backwash Length icon.
- B** Press and hold ▼ or ▲ until the Programming icon appears.
- C** Set the backwash length with ▼ or ▲, 1 to 30 minutes.
- D** Press MODE to go to the next parameter, or press  and hold to validate the selection and return to the service mode.



6.4.4.4 Setting the days between backwash

Set the days between backwash.

- A Press MODE until display position point to the Days Between Backwash icon.
- B Press and hold ▼ or ▲ until the Programming icon appears.
- C Set the number of days between backwash with ▼ or ▲, 1 to 30.
- D Press MODE to go to the next parameter, or press ↻ and hold to validate the selection and return to the service mode.



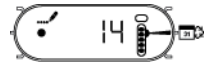
6.4.4.5 Days to backwash



Note

The days to regeneration indicate the remaining days until next backwash and cannot be adjusted.

- A Press MODE until display position point to the Days To Backwash icon.
- B The display shows the remaining days until next backwash.



6.5. Diagnostic



Note

Depending on current settings, some displays cannot be viewed.



Note

If none of the buttons are pushed for 30 seconds in the diagnostic mode the controller returns to Service mode.



Note

The table below shows all the diagnostics.



Note

For timeclock configuration, only H1 and H6 will be displayed.

6.5.1. Commands

- A Press and hold MODE and ▲ for five seconds to enter the diagnostic programming mode.
- B The display shows the first diagnostic.
- C Press ▲ to view the value.
- D Press MODE twice to move to the next diagnostic.
- E Press ↻ and hold for five seconds to exit the diagnostic programming mode.

Diagnostic code	Description	Notes
H1	Days since last regeneration	0 - 30
H2	Current flow rate	l/min
H3	Current day of week	1 - 7
H4	Total volume of water treated by the unit for the current day	m ³
H5	Total volume of water used since the last regeneration	
H6	Upflow or downflow configuration and software version	i.e. d - 1.0 (Downflow configuration and software version 1.0) d: Downflow, U: Upflow
A1	Average water usage for day 1	m ³
A2	Average water usage for day 2	
A3	Average water usage for day 3	
A4	Average water usage for day 4	
A5	Average water usage for day 5	
A6	Average water usage for day 6	
A7	Average water usage for day 7	

7. Commissioning



Note

This chapter is available for standard regeneration types. Contact your supplier if the actual regeneration is not standard and if you need assistance.

7.1. Water filling, draining and waterproofness inspection

7.1.1. Activating the softener

- A** With the bypass still in bypass position (inlet and outlet of the valve closed), plug in the LXT controller to the power source.
- B** Proceed to programming according to your system specification if not done yet.
- C** Start a manual regeneration by pressing the regen button for 5 seconds. The piston will move into backwash position. If the first cycle is not backwash, quick cycle the valve until the piston is in backwash position. Once in this position, unplug the LXT controller from the power source.
- D** Open the nearest faucet close to the system.
- E** With the bypass still in bypass position, put the bypass slowly in service position.
- F** The valve and tank will slowly get filled with raw water, allowing air to be purged by the drain and/or by the open faucet next to the system. Open the inlet progressively until fully open position.
- G** Once the drain runs clear and the bypass valve is fully in service position, plug in again the LXT controller to the power source.
- H** Push on the regen button once to move the piston to the next regeneration cycle position. Leave the valve 1 minute in each positions and move to the next one, until refill cycle is displayed. When refill cycle is displayed, let the valve run the entire cycle and check the level of water in the brine tank or cabinet. The level of water in the brine tank should be about 5 cm above the salt platform. You may want to mark the level on the brine tank as this can be used as an indicator for the future lifetime of the softener.
- I** Once refill cycle is completed, the valve will automatically go back into service position (unless non-standard regen sequence is programmed). Start again a manual regeneration by pressing for 5 seconds on the regen button. The valve will move to backwash position.
- J** Press the regen button once to move to brine draw position. Check to see in the brine tank if the water level decrease.
- K** Once the draw function is observed and confirmed (level of water in the brine tank or cabinet has decreased), you may go through each cycle pushing on the regen button until refill cycle, leave the water come back to the 'full' level, and then push on the regen button so that the valve returns into service position.
- L** Fill the brine tank or cabinet with salt. You may want to mark the level of water in the brine tank/ cabinet when completely refilled with water and full of salt. In the future, after each regeneration, you can visually control that the quantity of water refilled should be between the 2 marks done. Marking are optional, but may allow to visually detect any irregularity during regeneration that may lead to softener inefficiency.
- M** With the brine tank completely refilled and full of salt, adjust the safety brine valve in the brine well. Make sure the overflow elbow is installed above the float level.
- N** After the softener has been running a few minutes in service, proceed to hardness test on outlet water to make sure the water is treated as per requirements.

The system is ready and in service.

7.2. Sanitization

7.2.1. Disinfection of water softeners

The materials of construction of the modern water softener will not support bacterial growth, nor will these materials contaminate a water supply. In addition, during normal use, a softener may become polluted with organic matter, or in some cases with bacteria from the water supply. This may result in an off-taste or odor in the water.

Thus, your softener may need to be disinfected after installation. Some softeners will require periodic disinfection during their normal lifetime. Consult your installing dealer for more information on disinfecting your softener.

Depending on the conditions of use, the softener type, the type of ion exchanger, and the disinfectant available, a choice can be made among the following methods.

7.2.2. Sodium or calcium hypochlorite

These materials are satisfactory for use with polystyrene resins, synthetic gel zeolite, greensand and bentonites.

5.25% Sodium hypochlorite

If stronger solutions are used, such as those sold for commercial laundries, adjust the dosage accordingly.

Dosage

Polystyrene resin: set 1.25 mL fluid per 1 L of resin.

Non-resinous exchangers: set 0.85 mL fluid per 1 L.

Brine tank softeners

Backwash the softener and add the required amount of hypochlorite solution to the well of the brine tank. The brine tank should have water in it to permit the solution to be carried into the softener.

Proceed with the normal regeneration.

Calcium hypochlorite

Calcium hypochlorite, 70% available chlorine, is available in several forms including tablets and granules. These solid materials may be used directly without dissolving before use.

Do not let the disinfectant stand for more than 3 hours in the brine tank before the regeneration start.

Dosage

Measure two grains ~ 0.11 mL for 1 L.

Brine tank softeners

Backwash the softener and add the required amount of hypochlorite to the well of the brine tank. The brine tank should have water in it to permit the chlorine solution to be carried into the softener.

Proceed with the normal regeneration.

7.2.3. Electro chlorination

Valves or systems already equipped with an electrochlorinator device or system will be sanitized during the brine draw phase.

8. Operation

8.1. Display during operation

Examples:

- Valve in service with actual time of day:
- Valve in service with volume remaining to next regeneration (in m³):



8.2. Display during regeneration

During a regeneration the display shows the current cycle step and the time remaining for that cycle. The countdown for the time remaining starts only when the valve is in the cycle displayed.

Examples for DF version:

- Backwash cycle, 7 min remaining:
- Brine tank refill cycle, 28 min remaining:



8.3. Display during diagnostic mode

Example:

- Controller in diagnostic mode (Days since last regeneration):



8.4. Recommendations

- Use only regeneration salts designed for water softening upon regulation EN973;
- for optimal system operation, the use of clean salt and impurities free is recommended (for example salt pellets);
- do not use ice melt salt, block, or rock salts;
- the sanitizing process (both with liquid and electrochlorination) may introduce chlorine compounds which may reduce the lifetime of the ion exchange resins. Refer to the technical guides for resins in common use, providing necessary checks on the system.


8.5. Manual regeneration



Mandatory


The controller must be in service in order to enable this procedure.

8.5.1. Manual delayed regeneration


- A Press  once for delayed regeneration.
 - The regeneration starts on the scheduled time. See chapter 6.4.3. Softener time clock delayed programming, page 51.
 - The service icon flashes.




Note

To cancel: press  again. The service icon stop flashing.

8.5.2. Immediate regeneration

- A Press and hold  for 5 seconds to initiate immediately a manual regeneration, regardless from the programmed regeneration control type.

8.5.3. To advance regeneration cycles

- A Press  to pass to the next regeneration cycle.

8.6. Operation during a power failure

- Current valve position, cycle step time elapsed, and time of day is stored 24 hours during a power failure, and will be restored upon power restoration;
- in regeneration, when power is shutting down, the controller saves the current regeneration data. When power is restored, the controller resume the regeneration cycle at the point where power failed;



Caution

Without power, the valve stay in its current position. The valve system should include all required safety components to prevent overflows.

- all the program settings are stored in a permanent memory;
- time is kept during a power failure and the time of day is adjusted upon restoration of the power (as long as the power is restored within 24 hours);
- the time of day on the main display screen will flash when there has been a power failure;
- the flashing of the time of day can stopped by pressing any button on the display.

9. Maintenance

**Mandatory**

Cleaning and maintenance shall take place at regular intervals in order to guarantee the proper functioning of the complete system, and be documented in the Maintenance chapter in the User Guide document.

**Mandatory**

The maintenance and service operation must be done by qualified personnel only. Failure in respecting this may void the warranty.

9.1. General system inspection

**Mandatory**

Has to be done once a year at minimum.

9.1.1. Water quality

9.1.1.1 Valve used for softening

- A Raw water total hardness.
- B Treated water hardness.

9.1.1.2 Valve use for filtering

- A Check for raw water analysis and filter's targeted contaminants concentration.
- B Check for treated water analysis and compare with raw water data.

9.1.2. Mechanical Checks

- A Inspect general condition of softener/filter and associated ancillaries and check for any leaks, ensure valve connection to piping is made with adequate flexibility as per manufacturer instruction.
- B Inspection of electrical connections, verify wiring connections and search for evidence of overloading.
- C Verify settings of electronic timer, verify regeneration frequency, and make sure the valve configuration is appropriate for media and tank size.
- D Check water meter, if present, report water meter settings and compare with previous inspection.
- E If water meter is present, verify total water consumption compared to previous visit.
- F If pressure gauges are installed before and after softening/filtering system, verify and record static and dynamic pressure, reporting pressure drop. Verify that inlet pressure respects valve and softening/filtering system limits. Verify that pressure drop stay stable year on year, adapt backwash duration if required.
- G If pressure gauges are not present, but suitable points exist, install temporary pressure gauge(s) to perform point F.

9.1.3. Regeneration test

9.1.3.1 Valve used for softening

- A** Check condition of brine tank and any associated equipment.
- B** Check salt level in brine tank.
- C** Initiate regeneration test.
 - Check brine draw during brine draw stage.
 - Check brine tank refill.
 - Check operation of safety brine valve, where fitted.
 - Check for brine draw off levels.
 - Check for resin loss at the drain during regeneration.
 - Where fitted, check for satisfactory operation of solenoid, i.e. outlet shut off during regeneration and/or brine line shut off valve(s).
- D** Test and record Total Hardness of outlet water from softener vessel(s).

9.1.3.2 Valve use for filtering

- A** Initiate manual regeneration and observe flow to drain.
- B** Make sure flow rate correspond to DLFC configuration.
- C** Check for media loss at the drain during backwash.
- D** Check to see if water runs clear at the end of the backwash cycle.
- E** Observe flow fast rinse cycle and measure pressure drop through the filter system. Pressure drop after fast rinse should return equal or very close to pressure drop recorded after system start-up.
- F** Where fitted, check for satisfactory operation of solenoid valve(s) i.e. outlet shut off during regeneration.

9.2. Recommended maintenance plan

9.2.1. Valve used for softening

Items	1 year	2 year	3 year	4 year	5 year
Injector & filter	Clean	Clean	Clean	Clean	Clean/ replace if necessary
BLFC***	Clean	Clean	Clean	Clean	Clean/ replace if necessary
DLFC***	Clean	Clean	Clean	Clean	Clean/ replace if necessary
Piston*	_****	_****	Replace	_****	_****
Seals & spacers*	_****	_****	Replace	_****	_****
Brine valve	Check/clean/ replace if necessary	Check/clean/ replace if necessary	Check/clean/ replace if necessary	Check/clean/ replace if necessary	Replace

Items	1 year	2 year	3 year	4 year	5 year
O-rings***	Check for watertightness /clean or replace in case of leakage	Check for watertightness /clean or replace in case of leakage	Check for watertightness /clean or replace in case of leakage	Check for watertightness /clean or replace in case of leakage	Check for watertightness /clean or replace in case of leakage
Motor	Check	Check	Check	Check	Replace
Optical sensor	Check	Check	Check	Check	Replace
Gearing	Check	Check	Check	Check	Check/ replace if necessary
Encoding wheel	Clean	Clean	Clean	Clean	Clean
Inlet hardness	Check	Check	Check	Check	Check
Residual hardness	Check/adapt mixing screw if necessary	Check/adapt mixing screw if necessary	Check/adapt mixing screw if necessary	Check/adapt mixing screw if necessary	Check/adapt mixing screw if necessary
Electronic/ settings**	Check	Check	Check	Check	Check/ replace if necessary
Transformer**	Check	Check	Check	Check	Check/ replace if necessary
Meter* (if present)	Check and Clean	Check and Clean	Check and Clean	Check and Clean	Replace
Meter cable (if present)	Check	Check	Check	Check	Check/ replace if necessary
Valve watertightness	Check	Check	Check	Check	Check
Valve to piping watertightness	Check	Check	Check	Check	Check

* Wear parts - durability strongly affected by raw water quality and regeneration frequency.

** Electronic parts – durability strongly affected by power source quality and stability.

*** Elastomer durability is strongly affected by raw water concentration in chlorine and its derivative.

**** Seals & Spacer cartridge is equipped with O-rings that ensure watertightness by compression, therefore by unmounting/remounting the same cartridge may cause it not to be watertight anymore, each time the seals & and spacer cartridge is extracted from the valve body it must be pre-placed by a new one. Note that extraction the piston may also extract the Seals and spacer cartridge at the same time for this reason it not advised to unmount the piston, clean and lubricate it with silicon grease as with former residential fleck valves for the regular maintenance, but only to replace it at least every 3 years.

9.2.2. Valve used for filtering

Items	1 year	2 year	3 year	4 year	5 year
Piston*	_****	_****	Replace	_****	_****
Seals & spacers*	_****	_****	Replace	_****	_****
O-rings***	Check for watertightness /clean or replace in case of leakage	Check for watertightness /clean or replace in case of leakage	Check for watertightness /clean or replace in case of leakage	Check for watertightness /clean or replace in case of leakage	Check for watertightness /clean or replace in case of leakage
Motor	Check	Check	Check	Check	Replace
Optical sensor	Check	Check	Check	Check	Replace
Gearing	Check	Check	Check	Check	Check/ replace if necessary
Encoding wheel	Clean	Clean	Clean	Clean	Clean
Electronic/ settings**	Check	Check	Check	Check	Check/ replace if necessary
Transformer**	Check	Check	Check	Check	Check/ replace if necessary
Meter*	Check and Clean	Check and Clean	Check and Clean	Check and Clean	Replace
Meter cable	Check	Check	Check	Check	Check/ replace if necessary
Valve watertightness	Check	Check	Check	Check	Check
Valve to piping watertightness	Check	Check	Check	Check	Check

* Wear parts - durability strongly affected by raw water quality and regeneration frequency.

** Electronic parts – durability strongly affected by power source quality and stability.

*** Elastomer durability is strongly affected by raw water concentration in chlorine and its derivative.

**** Seals & Spacer cartridge is equipped with O-rings that ensure watertightness by compression, therefore by unmounting/ remounting the same cartridge may cause it not to be watertight anymore, each time the seals & and spacer cartridge is extracted from the valve body it must be pre-placed by a new one. Note that extraction the piston may also extract the Seals and spacer cartridge at the same time for this reason it not advised to unmount the piston, clean and lubricate it with silicon grease as with former residential fleck valves for the regular maintenance, but only to replace it at least every 3 years.

9.3. Recommendations

9.3.1. Use original spare parts



Caution

To ensure correct operation and safety of the device, only use original spare parts and accessories recommended by the manufacturer.
Usage of non-genuine spare parts void all warranties.

Parts to keep in stock for potential replacements are the pistons, S&S kit, injectors, optical sensor and motors. Refer to maintenance sheet.

9.3.2. Use original approved lubricants

- P80 Emulsion lubricant (water base lubricant)


9.3.3. Maintenance instructions

- Disinfect and clean the system at least once a year or if the treated water has an off-taste or an unusual odor;
- perform a hardness test every year of both inlet and treated water.

9.4. Cleaning and maintenance

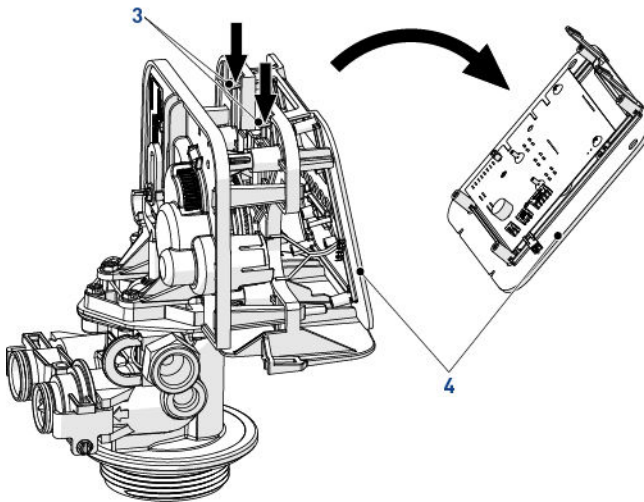
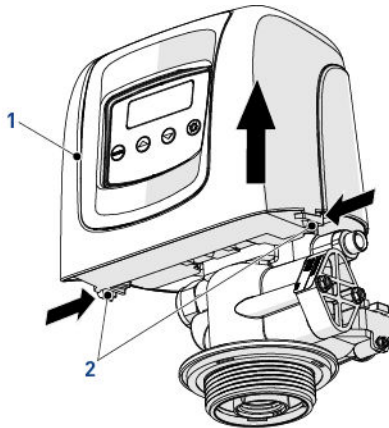
9.4.1. First steps

Before any cleaning or maintenance procedure, complete the following steps:

No.	Operation
 <p>Caution</p>	These operations need to be performed before any cleaning or maintenance procedure.
A	Unplug the wall-mounted transformer.
B	Shut off water supply or put bypass valve(s) into bypass position.
C	Relieve system pressure before performing any operations.

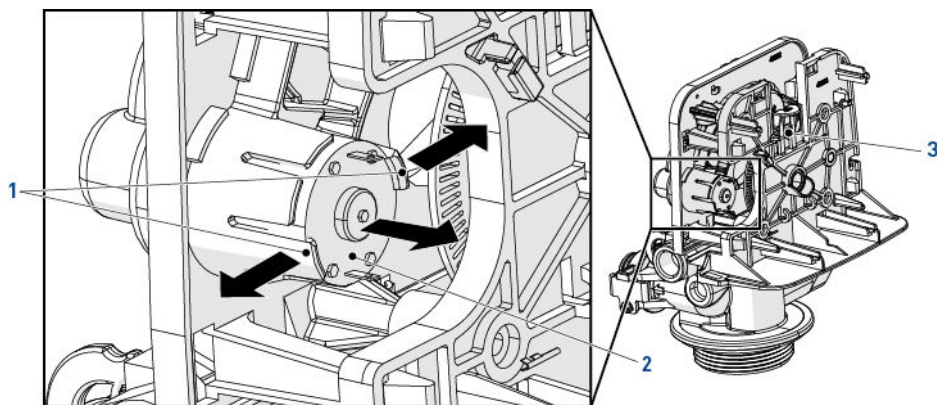
9.4.2. Controller replacement

No.	Operation
A	Press the cover clips (2) on each side and open the cover (1) .
B	Press the board clips (3) and release the controller (4) .
C	Disconnect the old controller.
D	Connect the new controller, see 5.8. Electrical connections, page 43.
E	Reverse above procedure steps to rebuild.





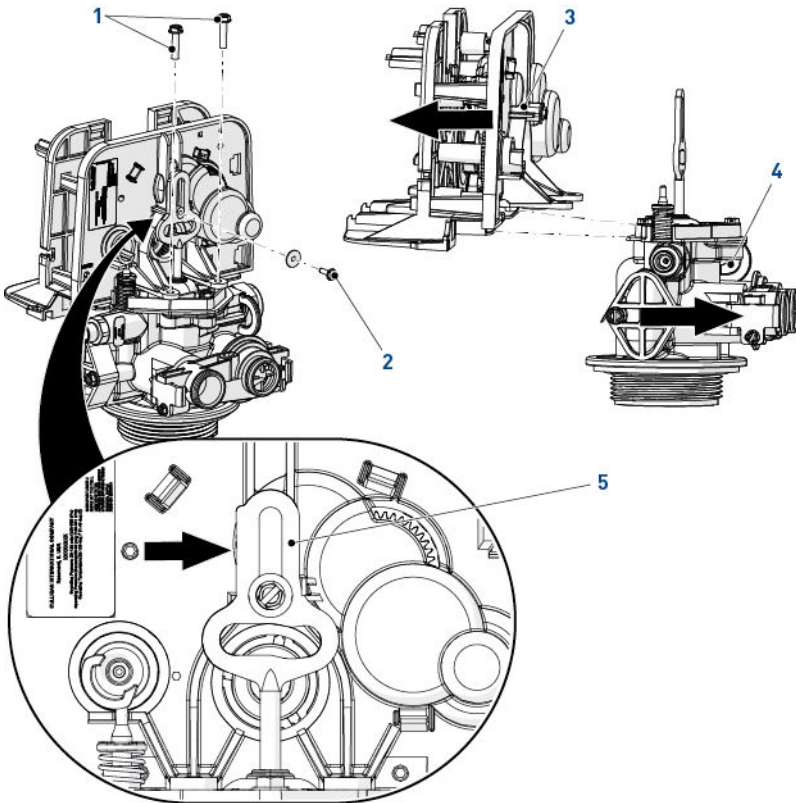
9.4.3. Controller motor replacement

No.	Operation
A	Remove the controller, see 9.4.2. Controller replacement, page 65.
B	Disconnect the optical sensor (3) .
C	Disconnect the motor.
D	Open the motor clips (1) and pull out the old motor (2) .
E	Change the motor (2) .
F	Reverse above procedure steps to rebuild.






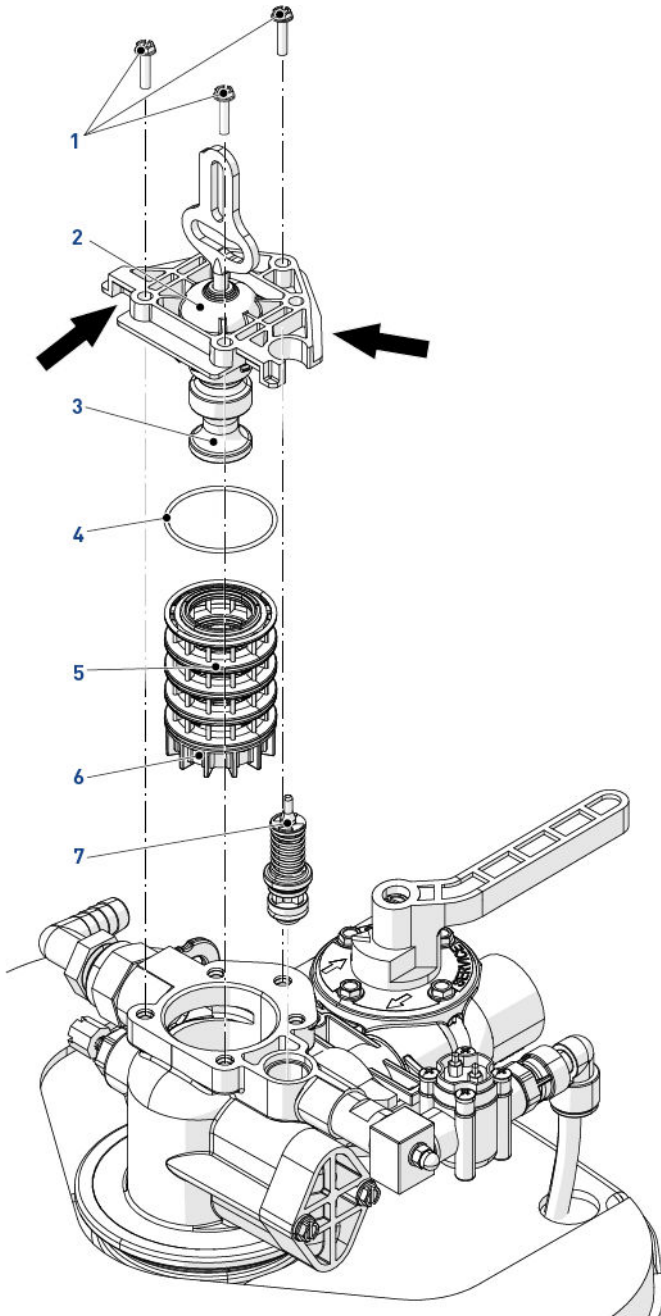
9.4.4. Power head disassembly/replacement

No.	Operation
A	Remove the controller, see 9.4.2. Controller replacement, page 65.
B	Using a 6 mm wrench or flat screwdriver, unscrew (2).
C	Using a 8 mm wrench or flat screwdriver, unscrew (1).
D	Separate the gearing system (3) from the valve body (4).
E	Change the gearing system (3).
F	Reverse above procedure steps to rebuild. Mind the core marker and align the small holes of the gears for easy reassembly.
Caution  When assembling the gearing system (3) on the valve body (4), make sure to put the brighter part of the piston axle (5) on the left as shown below.	
Tip  These operations need to be performed before any cleaning or maintenance procedure.	




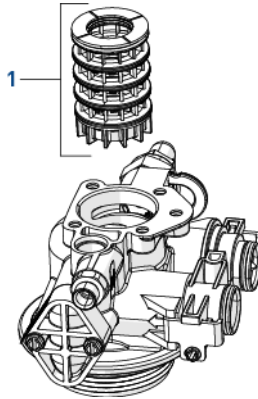
9.4.5. Piston and/or brine valve replacement

No.	Operation
A	Remove the gearing system, see "Power head disassembly/replacement", page 67.
B	Remove the screws (1) .
C	Remove the piston (3) and the top plate (2) by pulling the top plate (2) on the points indicated by arrows.
D	Remove the brine valve (7) .
E	Change the piston (3) and the seals & spacers cartridge (5) .
	Mandatory Pentair recommend always to change piston and seals & spacers simultaneously.
	Caution The larger spacer (6) is the lower part of the seals & spacers cartridge.
F	Change or clean the brine valve (7) .
G	Lubricate all seals (4+5+7) and with approved P-80 [®] Emulsion lubricant only.
	Caution Using another type of lubricant, such as petroleum-based lubricants (Vaseline, oils, or hydrocarbon-based lubricants) or silicone grease, may damage the valve.
H	Reverse above procedure steps to rebuild.






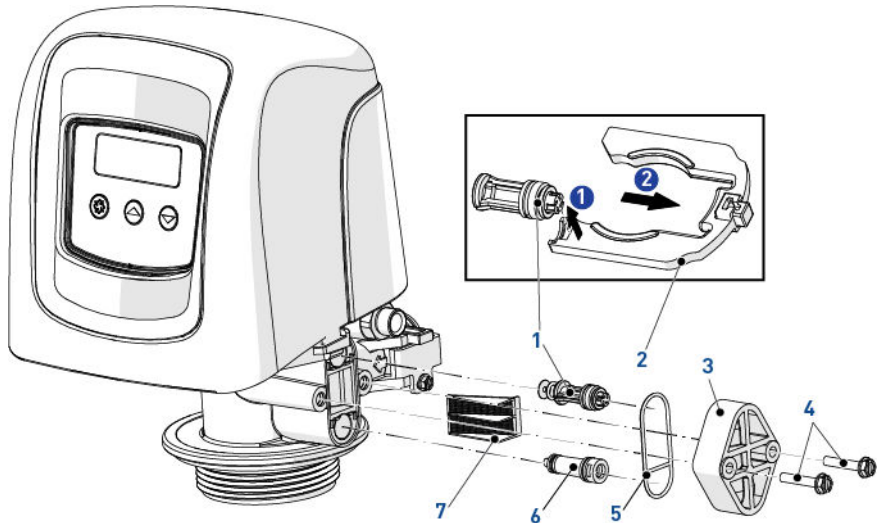
9.4.6. Seals and spacers cartridge replacement

No.	Operation
A	Remove the piston, see "Piston and/or brine valve replacement", page 68.
B	Remove the seals and spacers cartridge (1).
C	Change the seals and spacers cartridge (1).
D	Lubricate the seals and spacers cartridge (1) with approved P-80® Emulsion lubricant only.
Caution  Using another type of lubricant, such as petroleum-based lubricants (Vaseline, oils, or hydrocarbon-based lubricants) or silicone grease, may damage the valve.	
E	Reverse above procedure steps to rebuild.




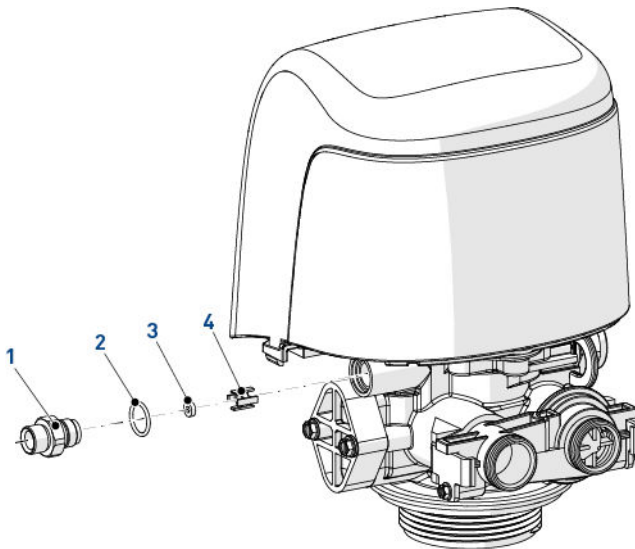
9.4.7. Injector cleaning

No.	Operation
A	Remove the screws (4).
B	Remove the cap injector (3).
C	Remove the seal (4) taking note of its position.
	Caution Depending of configuration, the position of the seal can be different as shown. The mid part of the seal should be aligned with the position of the injector.
D	Using the pusher (2), remove the injector (1).
	Caution To avoid any damage on the injector, use only the pusher to remove it.
E	Remove the screen (6).
F	Remove the injector plug (5).
	Note The plug has 2 slots in at the top. The plug can be removed by hooking something into one of these slots from the center of the plug.
G	Clean or change the injector (1), the screen (6), the injector plug (5) and the seal (4).
H	Lubricate all seals with approved lubricant only.
I	Reverse above procedure steps to rebuild.



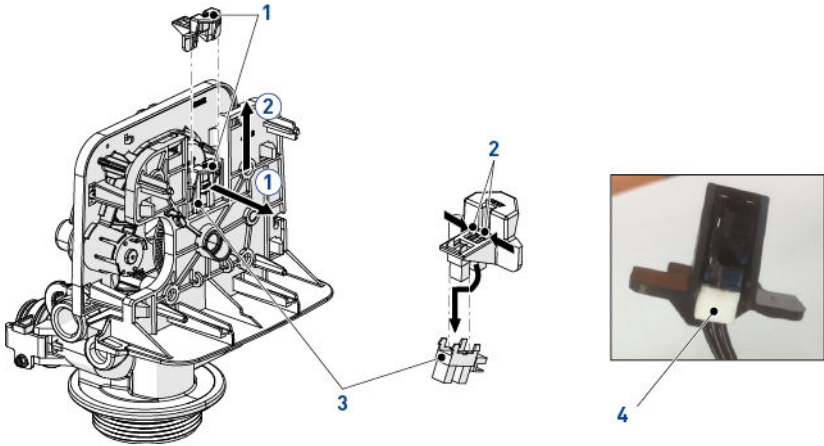
9.4.8. BLFC cleaning

No.	Operation
A	Remove the BLFC holder (1).
B	Using pliers, remove the grid (4) from BLFC holder (1).
C	Remove the BLFC (3) from the grid (4).
D	Clean or change the BLFC (3) and the seal (2).
E	Lubricate the seal (2) with approved P-80® Emulsion lubricant only.
Caution  Using another type of lubricant, such as petroleum-based lubricants (Vaseline, oils, or hydrocarbon-based lubricants) or silicone grease, may damage the valve.	
F	Reverse above procedure steps to rebuild.



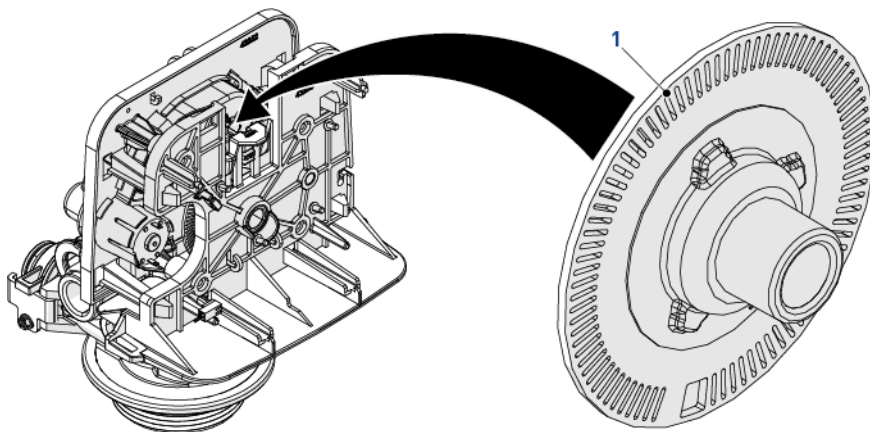
9.4.9. Optical sensor replacement

No.	Operation
A	Remove the controller, see 9.4.2. Controller replacement, page 65.
B	Disconnect the wire from the motor to the optical sensor (4).
C	Release the optical sensor support (1) by pushing it back and up as shown.
D	Release the optical sensor (3) from its support (1) by pressing the clips (2).
E	Change the optical sensor (3).
F	Reverse above procedure steps to rebuild.





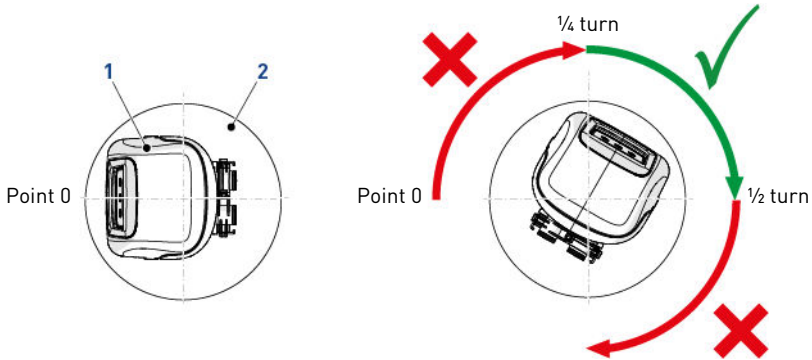
9.4.10. Encoding wheel cleaning

No.	Operation
A	Remove the controller, see 9.4.2. Controller replacement, page 65.
B	With a small brush, clean the encoding wheel (1).
C	Reverse above procedure steps to rebuild.



9.4.11. Valve on tank assembly

No.	Operation
A	Lubricate the seals with approved silicone grease.
B	Spin the valve (1) onto the tank (2), ensuring the threads are not cross-threaded.
C	Rotate the valve (1) clockwise and freely, without using force until it comes to a stop.
 Note	This stop position is considered point zero.
D	Rotate the valve (1) clockwise from point zero to between ¼ turn and ½ turn.
 Caution	Do NOT exceed 27 Nm of torque when installing the valve. Exceeding this limit may damage the threads and cause failure.



10. Troubleshooting

Problem	Cause	Solution
Water softener fails to regenerate automatically.	Cord plugged into intermittent or switched off power source.	Connect to constant power source.
	Disconnected/faulty meter cable.	Reconnect/replace cable.
	Defective power cord.	Replace cord.
	Defective controller, meter or sensor.	Replace or repair.
	Bad programming.	Program correctly.
Regeneration at wrong time.	Timer improperly set, due to power failure.	Reset controller.
Loss of capacity.	Increased raw water hardness.	Reset unit to the new capacity.
	Brine concentration and/or quantity.	Keep brine tank full of salt at all times. Clean it yearly. Salt may be bridged. If using a salt grid plate ensure refill water is over it.
	Resin fouling.	Call dealer, find out how to confirm it, clean the resin and prevent future fouling.
	Poor distribution, Channeling (uneven bed surface).	Call dealer. Check distributors and backwash flow.
	Internal valve leak.	Call dealer. Replace spacers, seals and/or piston.
	Resin age.	Call dealer. Check for resin oxidation caused by Chlorine. Mushy resin.
	Resin Loss.	Call dealer. Check for correct bed depth. Broken distributors.
Poor water quality.	Check items listed in loss of capacity.	
	Bypass valve open.	Close by-pass valve.
	Channeling.	Check for too slow or high service flow. Check for media fouling.
	Mixing wrongly set.	Set mixing correctly.
High salt usage.	High salt setting.	Adjust salt setting.
	Excessive water in brine tank.	See problem "Excessive water in brine tank".
Loss of water pressure.	Scaling/Fouling of inlet pipe.	Clean or replace pipeline. Pretreat to prevent.
	Fouled resin.	Clean the resin. Pretreat to prevent.
	Improper backwash.	Too many resin fines and/or sediment. Call dealer, reset backwash flow rate, and/or adjust time.

Problem	Cause	Solution
Excessive water in brine tank and/or salty water to service.	Plugged Drain Line.	Check flow to drain. Clean flow control.
	Dirty or damaged brine valve.	Clean or replace brine valve.
	Plugged injector.	Clean injector and replace screen.
	Low inlet pressure.	Increase pressure to allow injector to perform properly (1.4 bar minimum).
	Timer not cycling.	Replace controller.
Softener fails to use salt.	Plugged/restricted drain line.	Clean drain line and/or flow control.
	Injector is plugged.	Clean or replace injector and screen.
	No water in brine tank.	Check for restriction in BLFC. Ensure safety float is not stuck.
	Water pressure is too low.	Line pressure must be at least 1.4 bar.
	Brine line injects air during brine draw.	Check brine line for air leaks.
	Internal valve leak.	Call dealer. Check piston, seals and spacers for scratches and dents.
Valve cycles continuously.	Faulty controller.	Replace controller.
Continuous flow to drain.	Foreign material in control valve.	Call dealer. Clean valve, rebuild unit.
	Internal control valve leakage.	
	Valve jammed in brine or backwash position.	
	Motor stopped or jammed during regeneration.	Replace motor.

10.1. Error detection

Errors codes appear on the service display.



Note

It can take up to 1 minute before an error can be detected and displayed.

10.2. Error types and causes

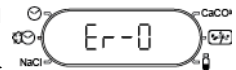
10.2.1. Motor stall/cam sense error



Note

No states changes in the optical sensor detected for 6 seconds.

- A** Unplug the unit and plug back in. Allow the controller to attempt to find position again.
- B** If the unit doesn't find position, unplug, open the cover (see "Controller replacement", page 65) and verify if the optical sensor is in place with the wires connected to the circuit board.
- C** Verify if the motor and gearing components are in good condition and assembled properly.
- D** Check the valve and verify that the piston travels freely.
- E** Replace/reassemble the various components as necessary.
- F** Plug the unit back in and observe its behaviour.
- G** If the error reoccurs, unplug the unit.
- H** Put it into bypass.
- I** Contact dealer.



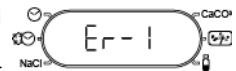
10.2.2. Motor run-ON error/cycle sense error



Note

An undesired optical sensor state change occurred.

- A** Unplug the unit and plug back in. Allow the controller to attempt to find position again.
- B** If the unit doesn't find position, unplug, open the cover (see "Controller replacement", page 65) and examine the power head.
- C** Verify the optical sensor is in place with wires connected to the circuit board.
- D** Enter master programming mode.
- E** Verify that the valve type and system type are set correctly with regard to the unit itself.
- F** Step the unit to a manual regeneration.
- G** Verify that it functions correctly.
- H** If the error reoccurs, unplug the unit.
- I** Put it into bypass.
- J** Contact dealer.



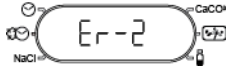
10.2.3. Regeneration failure



Note

The system has not regenerated for more than 30 days.

- A Perform a manual regeneration to reset the error code.
- B If the system is metered, verify that it is measuring flow by running service water and watching for the flow indicator on the display.
- C If the unit doesn't measure flow, verify that the meter is working properly and that the cable is well connected.
- D Enter master programming mode.
- E Verify that the unit is configured properly.
- F Check that meter is identified correctly.



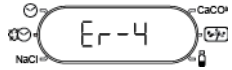
10.2.4. Fail safe error



Note

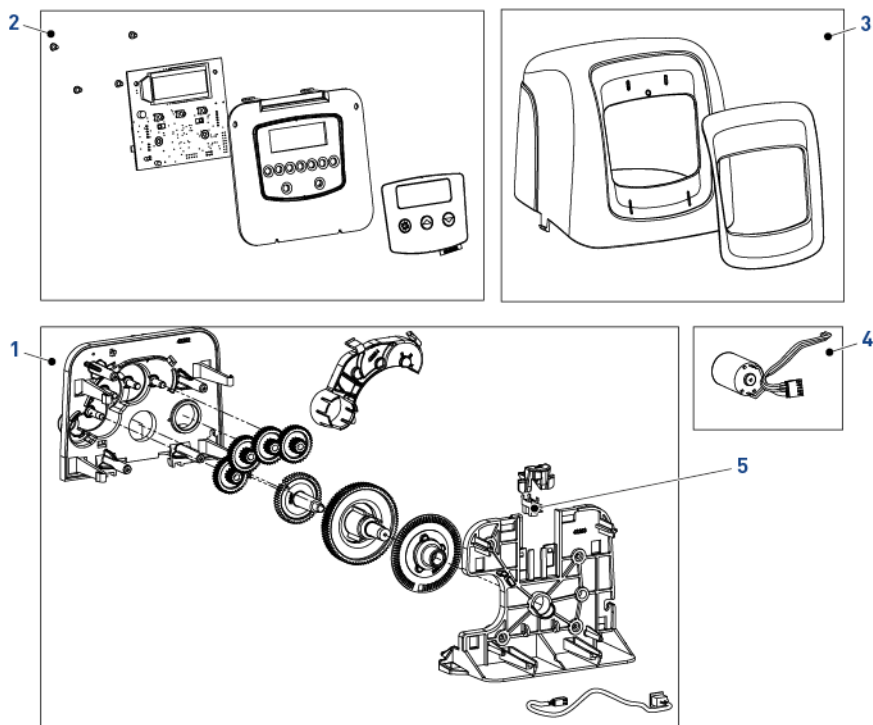
The valve has failed to find a position in one minute.

- A Unplug the unit and plug back in.
- B If error continues, call dealer.



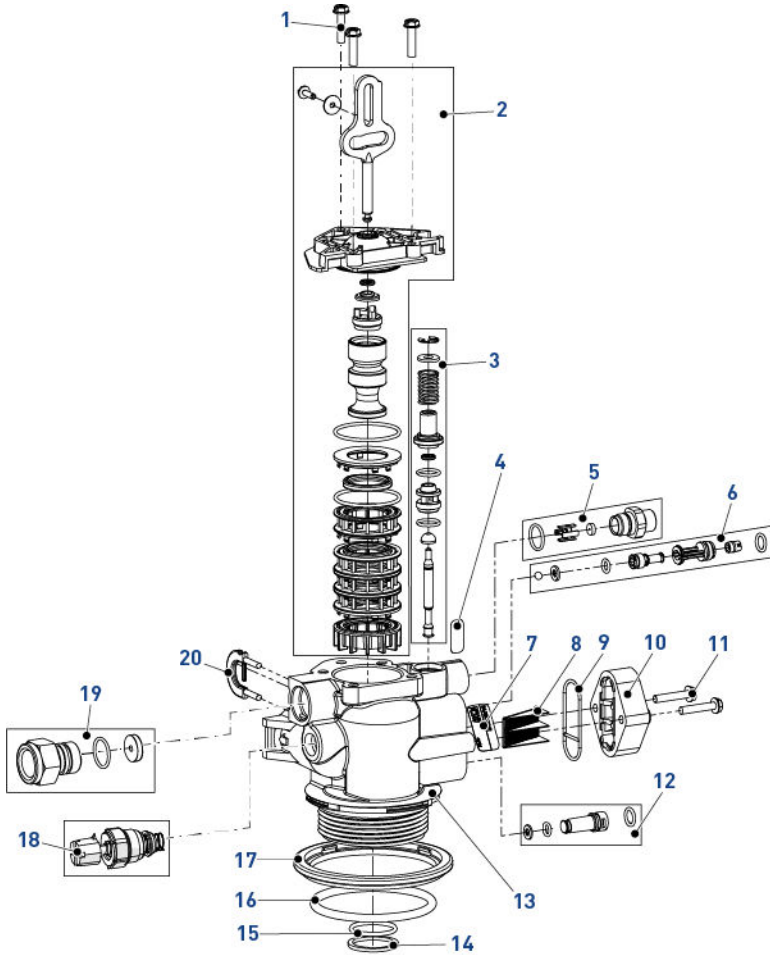
11. Spare parts

11.1. Power head parts list



Item	Part number	Description	Package quantity
1	BR61836	Panel gear assembly, downflow/upflow	1
2	BR61833-01	Controller assembly Storm TC	1
-	BR61833-02	Controller assembly Storm Eco	1
-	BR61833-03	Controller assembly Storm TC UF	1
-	BR61833-04	Controller assembly Storm Eco UF	1
-	BR61833-05	Controller assembly Storm Filter UF	1
3	BR61832-00	Cover assembly, black/blue	1
-	BR61832-01	Cover assembly, black/black	1
4	BR61835	Motor assembly	1
5	1235373	Optical sensor	1

11.2. Valve parts list

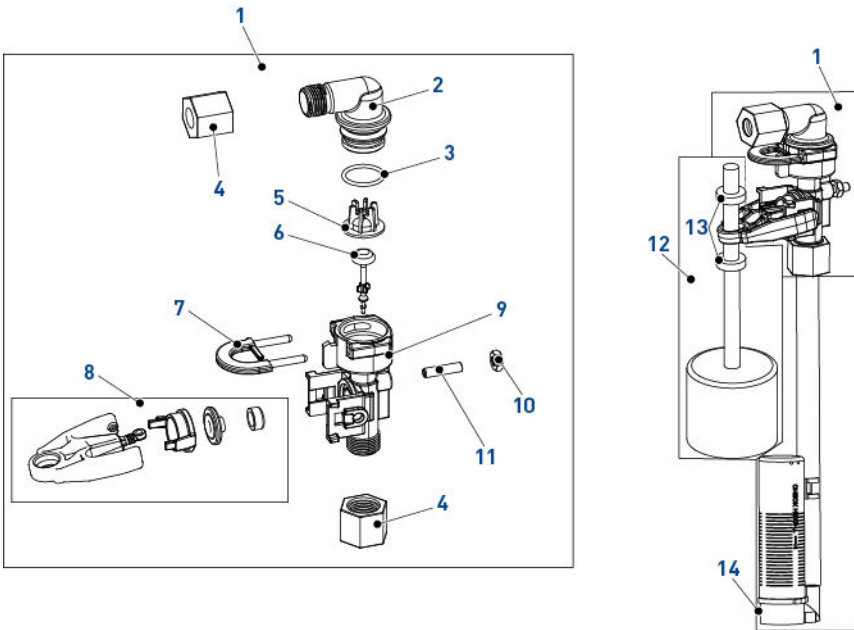


Item	Part number	Description	Package quantity
1	18261SP	Screw, hex washer head, #10-24 x 0.81"	10
2	BR61837	Piston and seal kit assembly, downflow 5800	1
-	BR61838	Piston and seal kit assembly, upflow 5800	1
3	60032	Brine valve 4600/5600	1
4	13333	Label, injector blank	1
5	18332-0.12	BLFC, 0.125_gpm, 5000/5600/9000	1
-	18332-0.25	BLFC, 0.25_gpm, 5000/5600/9000	1

Item	Part number	Description	Package quantity
5	18332-0.50	BLFC, 0.50_gpm, 5000/5600/9000	1
-	18332-1	BLFC, 1.00_gpm, 5000/5600/9000	1
6	18272-000SP	Injector assembly, 1610, #000, brown	10
-	18272-00SP	Injector assembly, 1610, #00, violet	10
-	18272-0SP	Injector assembly, 1610, #0, red	10
-	18272-1SP	Injector assembly, 1610, #1, white	10
-	18272-2SP	Injector assembly, 1610, #2, blue	10
-	18272-3SP	Injector assembly, 1610, #3, yellow	10
7	10759	Label 0.5 gpm_1.5 lbs salt/min	1
8	18271SP	Screen injector 5000	10
9	18301SP	Seal injector	10
10	18277	Cap injector	1
-	18278-20	Injector cap assembly, 1650 regulated, 5000, 20 psi, upflow	1
-	18278-30	Injector cap assembly, 1650 regulated, 5000, 30 psi, upflow	1
11	18262SP	Screw, hex washer head, #10-24 x 1"	10
12	18276-01	Injector assembly, plug with o-rings	1
13	BR61857-01	Valve body assembly 5800 Filter (includes items 14, 15, 16, 17 and 18)	1
-	BR61857-20	Valve body assembly 5800 w/mixing (includes items 14, 15, 16, 17 and 18)	1
14	13030SP	Retainer, distributor tube o-ring	50
15	13304-01SP	O-ring-560CD	10
16	18303-01SP	O-ring top of the tank	10
17	18569	Retainer, tank seal	1
18	24509-01	Mixing assembly residential	1
19	24078-EMPTY	DFLC, plastic, blank & hose barb bent	1
-	24078-0.8	DFLC, plastic, 0.80 gpm & hose barb bent	1
-	24078-1	DFLC, plastic, 1.0 gpm	1
-	24078-1.2	DFLC, plastic, 1.2 gpm & hose barb bent	1
-	24078-1.5	DFLC, plastic, 1.5 gpm & hose barb bent	1
-	24078-2	DFLC, plastic, 2.0 gpm & hose barb bent	1
-	24078-2.4	DFLC, plastic, 2.4 gpm & hose barb bent	1
-	24078-3	DFLC, plastic, 3.0 gpm & hose barb bent	1
-	24078-3.5	DFLC, plastic, 3.5 gpm & hose barb bent	1
-	24078-4	DFLC, plastic, 4.0 gpm & hose barb bent	1
-	24078-5	DFLC, plastic, 5.0 gpm & hose barb bent	1
-	24078-6	DFLC, plastic, 6.0 gpm & hose barb bent	1
20	18312SP	Retaining clip drain	10

Item	Part number	Description	Package quantity
20	24078-7	DFLC, plastic, 7.0 gpm & hose barb bent	1
-	26147-8	DFLC, 1" assembly 8 gpm	1
-	26147-9	DFLC, 1" assembly 9 gpm	1
-	26147-10	DFLC, 1" assembly 10 gpm	1
-	26147-12	DFLC, 1" assembly 12 gpm	1
-	26147-15	DFLC, 1" assembly 15 gpm	1
Not shown	40947-01	Plug, brine valve with o-ring 560 CD	1
Not shown	26958	BLFC module plug assembly with o-ring	1

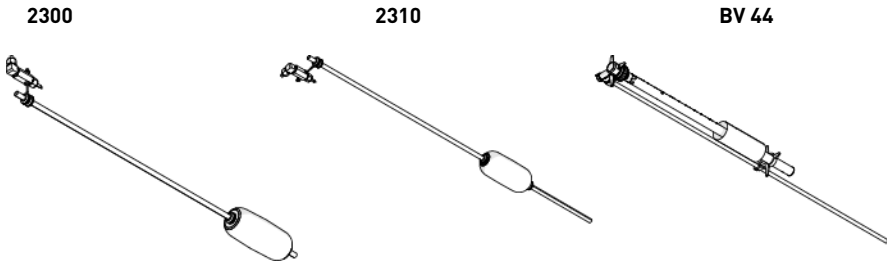
11.3. Safety brine valve parts list



Item	Part number	Description	Package quantity
1	60014SP	Safety brine assembly, 2310	10
2	26746	Elbow assembly, safety brine valve	1
3	11183-01SP	O-ring	50
4	19625SP	Brine Valve 1650 Plastic Nut assembly	10

Item	Part number	Description	Package quantity
5	19649	Flow disperser	1
6	PWG19652-01	Poppet assembly, SBV, with o-ring	1
7	18312SP	Retainer, drain	10
8	PWG19803	Safety brine valve arm assembly	1
9	19645	Body, safety brine valve, 2310	1
10	19805SP	Plastic SBV 2310 Nut	50
11	19804	Screw, sckt Hd, set, 10-24 x 0.75"	1
12	60068-30SP	New Float assy 2310	10
13	10150SP	Grommet pass rod 2300/2310/2350	50
14	18168	Air Check 500 (0,915 m)	48
-	26773	Air Check 500 (1,25 m)	48
-	23473	Air Check 500 (0,915 m) HW	48

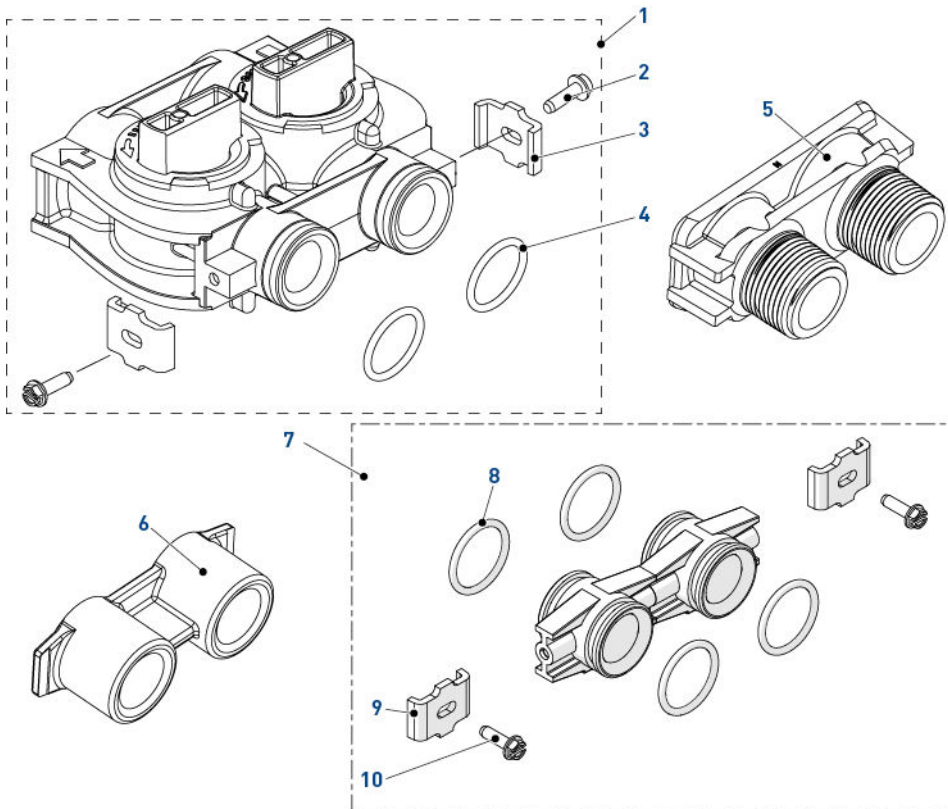
11.4. Safety brine valves list



Item	Brine System	Part number	Description	Package quantity
-	1600	27833	Safety Brine Valve 2300 - Without Air-Check	24
-		27834	Safety Brine Valve 2300 - HW - Without Air-Check	24
-		60067-03	Safety Brine Valve 2310 - Without Air-Check	24
-		25687	Brine Valve 44 - 914mm	10
-		18961	Brine Valve 44 - 1250mm	10

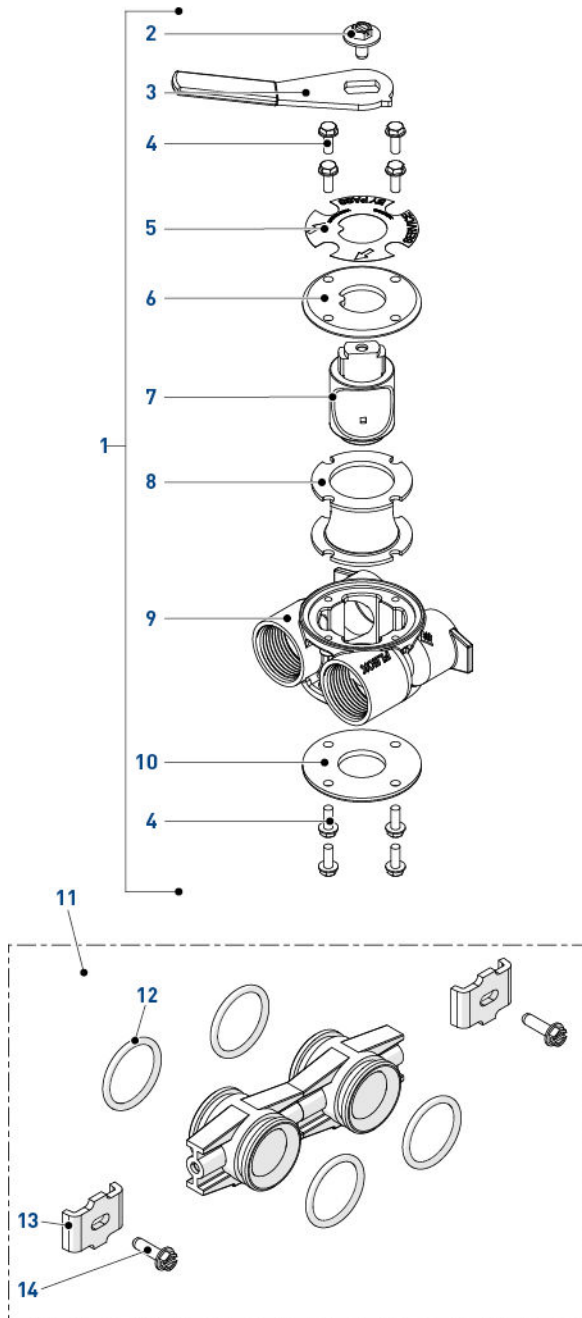
11.5. Bypass valve assembly list

11.5.1. Plastic bypass (no yoke)



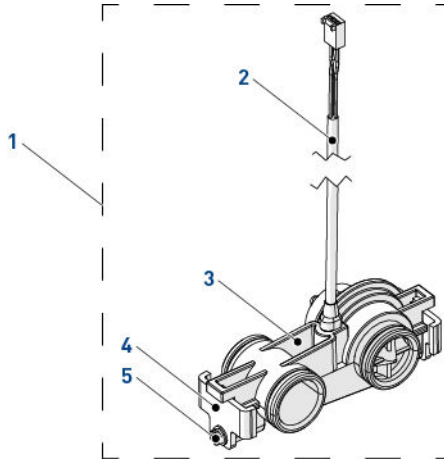
Item	Part number	Description	Package quantity
1	BU26054	Bypass plastic	1
2	13314SP	Screw, slot ind, hex, 8-18 x 0.60"	50
3	13255SP	Clip mounting	12
4	13305-01SP	O-ring	10
5	18706-10	Yoke, 1", BSP, male, plastic	1
-	18706-12	Yoke, ¾", BSP, male, plastic	1
-	24689	Yoke, ¾", BSP, male, brass	1
6	13398-10	Yoke 1", BSP, female, brass	1
7	Kit 256	Adapter assembly, kit coupling, with o-rings	1
8	13305-01SP	O-ring	10
9	13255SP	Clip mounting	12
10	13314SP	Screw, slot ind, hex, 8-18 x 0.60"	50

11.5.2. 1" BSP female stainless steel bypass



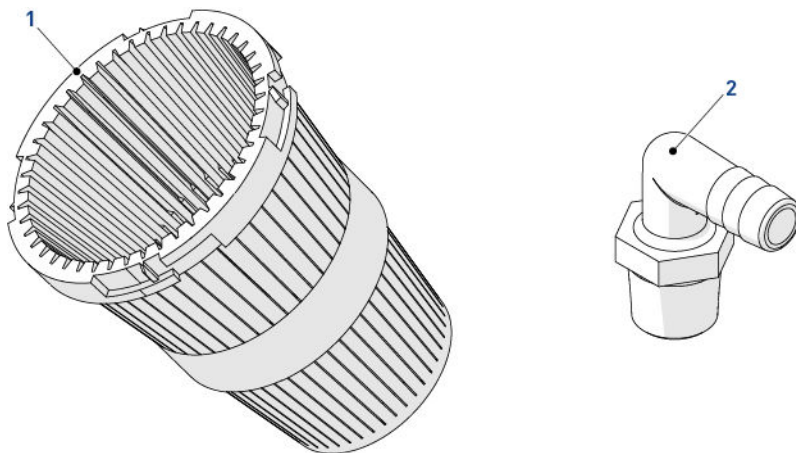
Item	Part number	Description	Package quantity
1	BU28502	Bypass Stainless Steel 1" BSP	1
2	13386SP	Screw Hex Hd Mach 1/4-20 X 1 Or Slot Hex	10
3	24419-10SP	Bypass handle red	10
4	15727	Screw, Hex washer head 10-24 x 0.5"	8
5	13604-01	Label bypass standard	1
6	BU11978	Cover bypass, Top	1
7	BU11972	Plug, bypass	1
8	14105SP	Seal, bypass, 560CD	5
9	40634-10	Bypass body, 1" BSP, stainless steel	1
10	11986	Cover bypass, Bottom	1
11	Kit 256	Adapter assembly, kit coupling, with o-rings	1
12	13305-01SP	O-ring	10
13	13255SP	Clip mounting	12
14	13314SP	Screw, slot ind, hex, 8-18 x 0.60"	50

11.6. Plastic turbine meter assembly



Item	Part number	Description	Package quantity
1	60626-01	Meter turbine assembly 3/4" SXT	1
2	BR19791-01	Meter cable turbine assembly	1
3	19797	Meter turbine assembly 5800	1
4	19569SP	Clip	12
5	13314SP	Screw	50

11.7. CE compliance part list



Item	Part number	Description	Package quantity
1	18280SP	Collector top 1" x 0.011 grey bayonet	10
2	21511SP	Hose barb 90° 1/2" x 1/2", black or grey	10

12. Disposal

The device must be scrapped in accordance with directive 2012/19/EU or the environmental standards in force in the country of installation. The components included in the system must be separated and recycled in a waste recycling center that conforms with the legislation in force in the country of installation. This will help to reduce the impact on the environment, health, safety and help to promote recycling. Pentair does not collect used product for recycling. Contact your local recycling center for more information.





www.pentairaquaeeurope.com